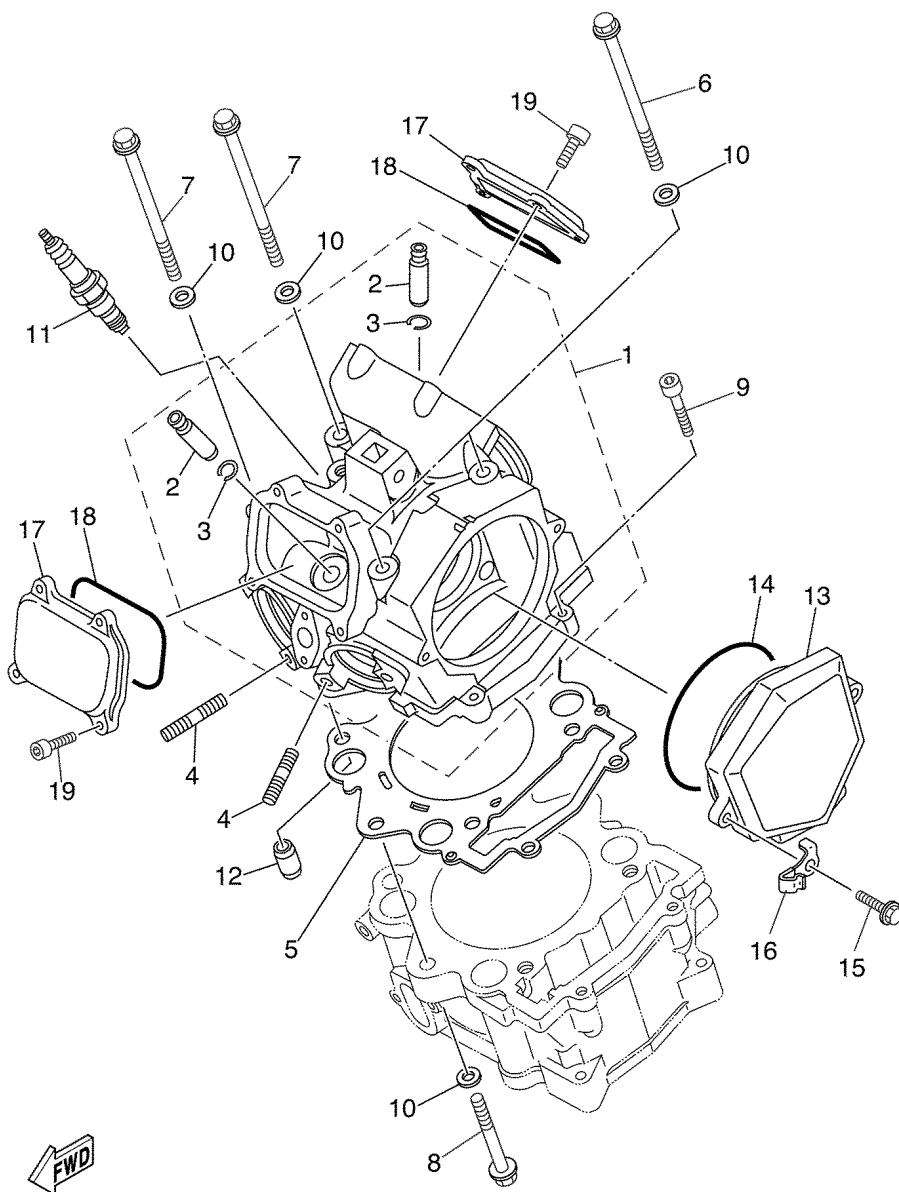
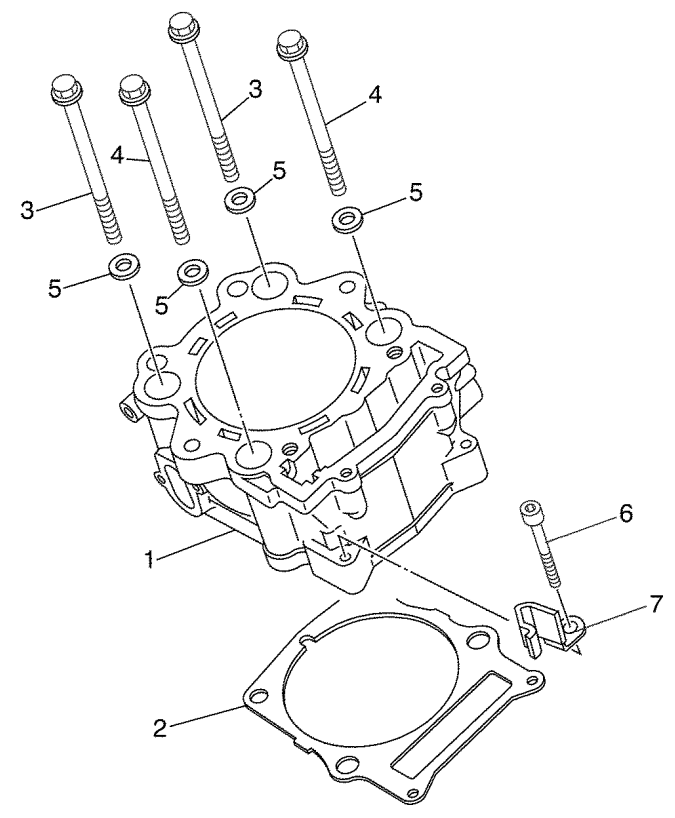


Ref No	Part No	Description
01	5VK-E1101-00-00	Cylinder Head Assy
02	4G0-11133-11-00	• . Guide, Valve 1
03	93440-10X00-00	• . Circlip
04	95617-08618-00	Bolt, Stud
05	5VK-11181-00-00	Gasket, Cylinder Head 1
06	90105-09002-00	Bolt, Flange
07	90105-09004-00	Bolt, Flange
08	90105-09003-00	Bolt, Flange
09	91317-06030-00	Bolt
10	90201-096J9-00	Washer, Plate
11	94701-00X09-00	Plug, Spark (ngk Cr7e)
12	93612-16X00-00	Pin, Dowel
13	5VK-E1185-00-00	Cover, Cylinder Head Side 1
14	93210-96X00-00	O-ring
15	90105-06X06-00	Bolt, Flange
16	90465-10044-00	Clamp
17	5VK-E1186-00-00	Cover, Cylinder Head Side 2
18	93210-78X00-00	O-ring
19	91317-06018-00	Bolt



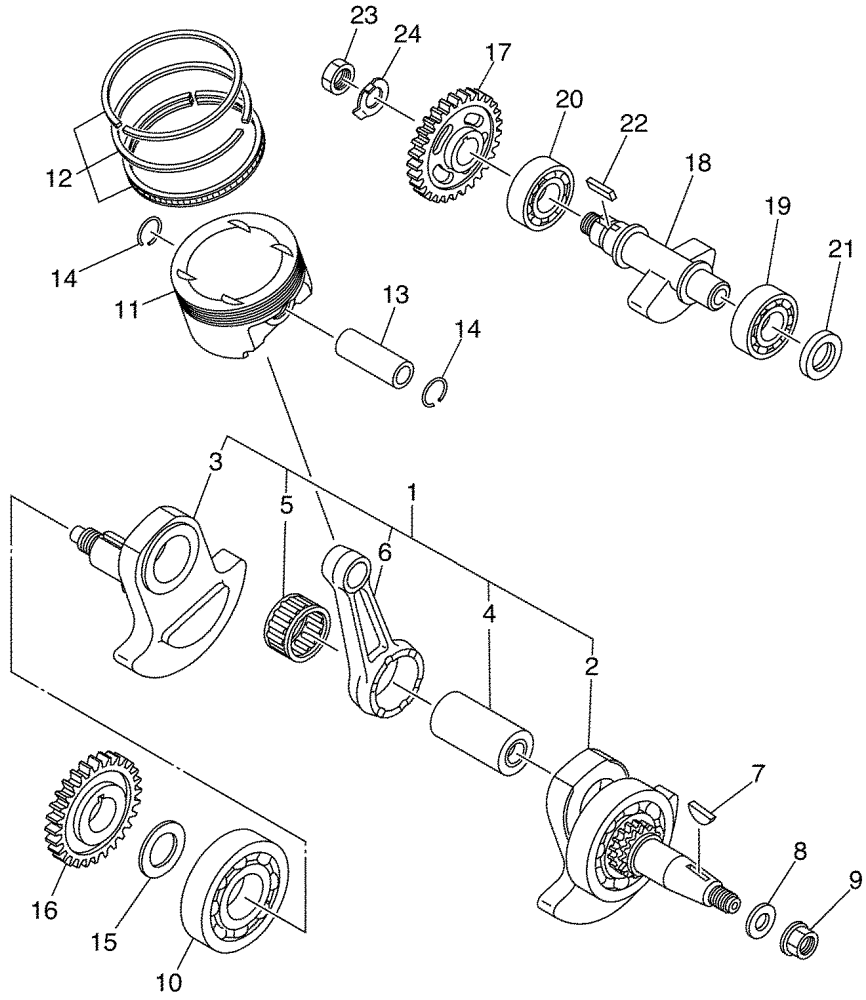
5VK8300-F010

Ref No	Part No	Description
01	5VK-11311-00-00	Cylinder 1
02	5VK-11351-00-00	Gasket, Cylinder
03	90105-10078-00	Bolt, Flange
04	90105-10077-00	Bolt, Flange
05	90201-101A4-00	Washer, Plate
06	91317-06040-00	Bolt
07	90465-10045-00	Clamp



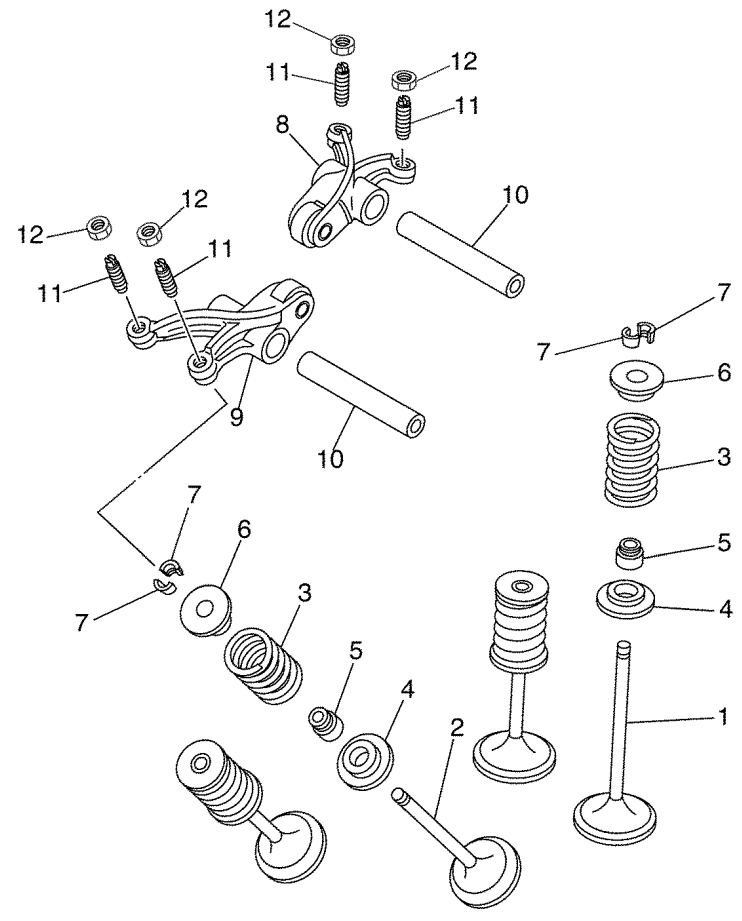
5VK8300-F020

Ref No	Part No	Description
01	5VK-11400-00-00	Crankshaft Assy
02	5VK-11401-09-00	. Crank Sub Assy 1
03	5VK-11422-00-00	. Crank 2
04	5VK-11681-00-00	. Pin, Crank 1
05	93310-84010-00	. Bearing
06	5VK-11651-00-00	. Rod, Connecting
07	90280-05001-00	Key, Woodruff
08	90201-16013-00	Washer, Plate
09	90179-16448-00	Nut
10	93306-308Y0-00	Bearing
11	5VK-11631-00-00	Piston (std)
12	5VK-11603-00-00	Piston Ring Set (std)
13	5VK-11633-00-00	Pin, Piston
14	93450-24824-00	Circlip
15	90201-30X00-00	Washer, Plate
16	5VK-E1536-00-00	Gear, Drive
17	5VK-E1531-00-00	Gear, Balance Weight
18	5VK-E1454-00-00	Weight 1
19	93306-305YJ-00	Bearing
20	93306-305YH-00	Bearing
21	93101-25106-00	Oil Seal
22	90282-05058-00	Key, Straight
23	90170-18003-00	Nut
24	90215-18X00-00	Washer, Lock



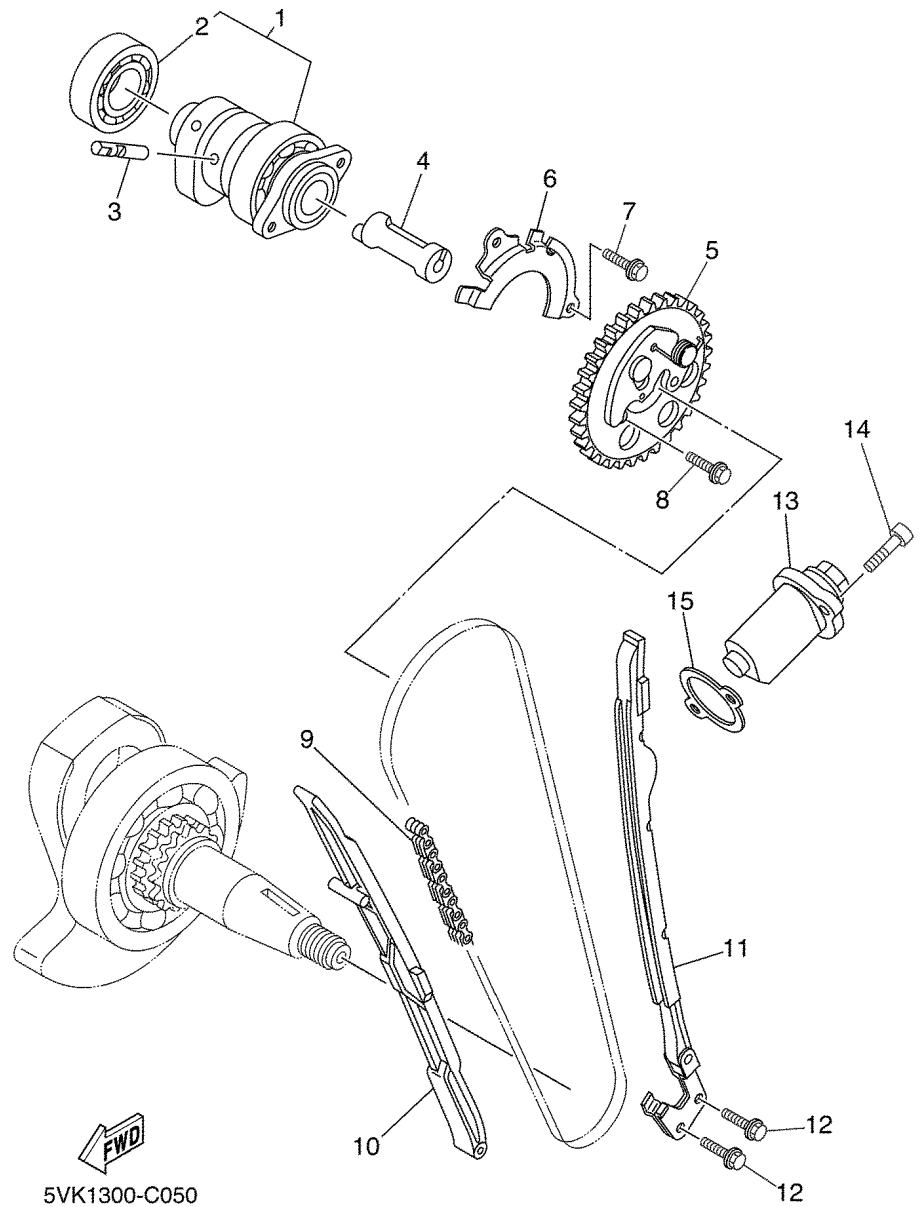
5VK1300-C030

Ref No	Part No	Description
01	5VK-12111-00-00	Valve, Intake
02	5VK-12121-00-00	Valve, Exhaust
03	5VK-12113-00-00	Spring, Valve Inner
04	3YF-12116-00-00	Seat, Valve Spring
05	5H0-12119-00-00	Seal, Valve Stem
06	3YF-12117-01-00	Retainer, Valve Spring
07	4G0-12118-00-00	Cotter, Valve
08	5VK-E2151-00-00	Arm, Valve Rocker
09	5VK-E2161-00-00	Arm, Valve Rocker 2
10	5VK-12146-00-00	Shaft, Rocker
11	5BP-12159-01-00	Screw, Valve Adjusting
12	90170-06128-00	Nut

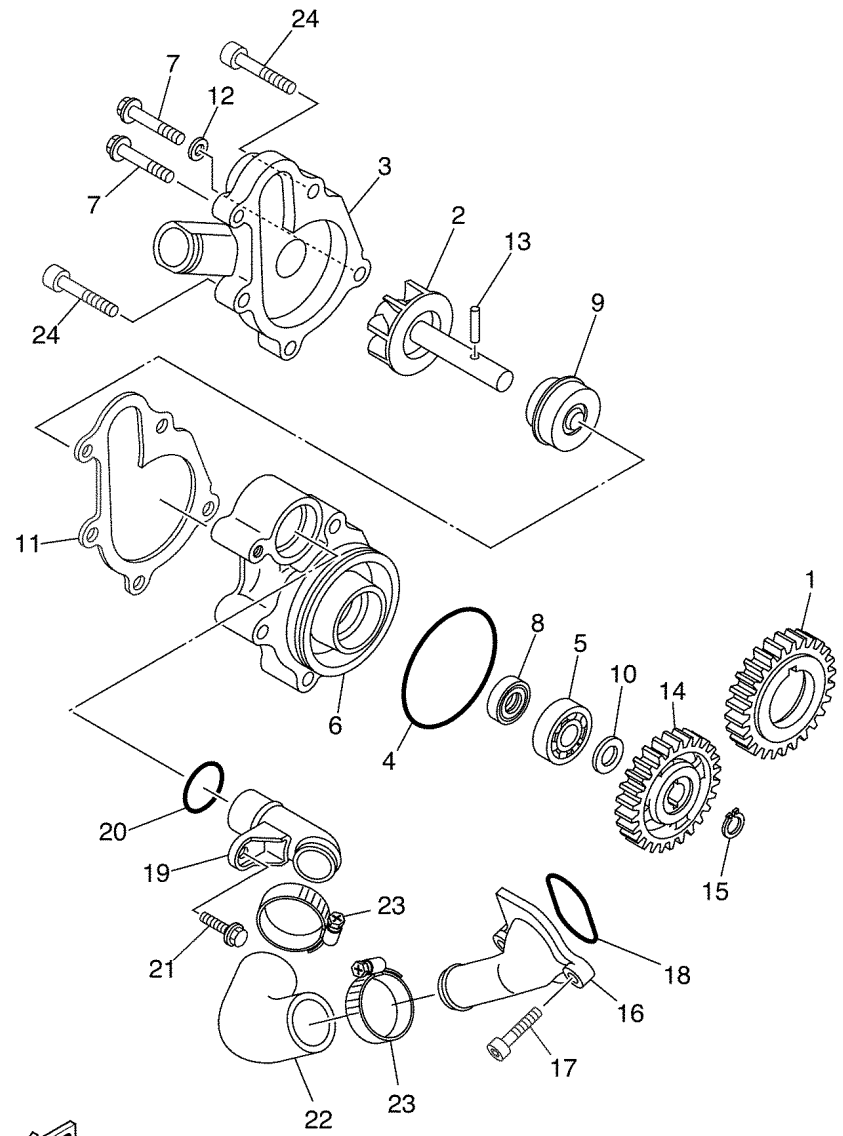


5VK1300-C040

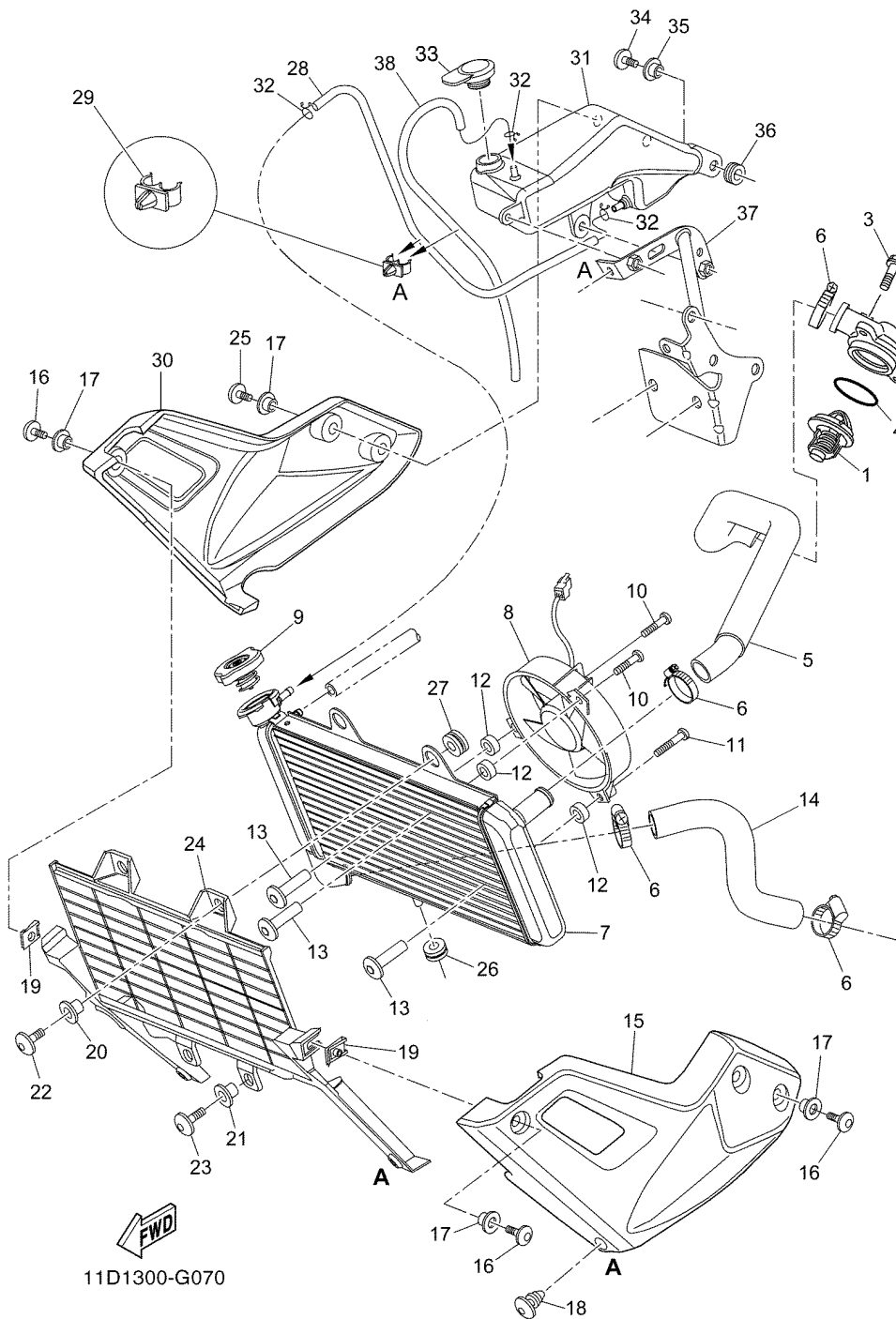
Ref No	Part No	Description
01	5VK-E2170-10-00	Camshaft Assy 1
02	93306-07209-00	• . Bearing
03	5VK-12284-00-00	Pin, Decompression Lever
04	5VK-12290-00-00	Lever, Decompression Spring
05	5VK-12280-01-00	Decompression Assy
06	5VK-E111F-00-00	Plate
07	95027-06012-00	Bolt, Flange
08	90105-07004-00	Bolt, Flange
09	94591-57126-00	Chain (98xrh2010-126m)
10	5VK-12231-00-00	Guide, Stopper 1
11	5VK-12241-00-00	Guide, Stopper 2
12	90119-06X05-00	Bolt, With Washer
13	3TB-12210-00-00	Tensioner Assy, Cam Chain
14	91317-06025-00	Bolt
15	4DW-12213-00-00	Gasket, Tensioner Case



Ref No	Part No	Description
01	5VK-E2436-00-00	Gear, Drive
02	5VK-12450-00-00	Impeller Shaft Assy
03	5VK-12422-00-00	Cover, Housing
04	93210-61750-00	O-ring
05	93306-00106-00	Bearing
06	5VK-12421-00-00	Housing, Water Pump
07	95027-06025-00	Bolt, Flange
08	93101-12173-00	Oil Seal
09	11H-12438-10-00	Seal, Mechanical
10	90201-12541-00	Washer, Plate
11	5VK-12428-00-00	Gasket, Housing Cover 2
12	90430-06014-00	Gasket
13	93603-16219-00	Pin, Dowel
14	5VK-12459-00-00	Gear, Impeller Shaft
15	99009-12400-00	Circlip
16	5VK-E2469-00-00	Joint 1
17	91317-06020-00	Bolt
18	93210-33X00-00	O-ring
19	5VK-12481-00-00	Pipe 1
20	93210-21X00-00	O-ring
21	91317-06012-00	Bolt
22	5VK-E2577-00-00	Hose 2
23	90450-32X03-00	Hose Clamp Assy
24	91317-06050-00	Bolt

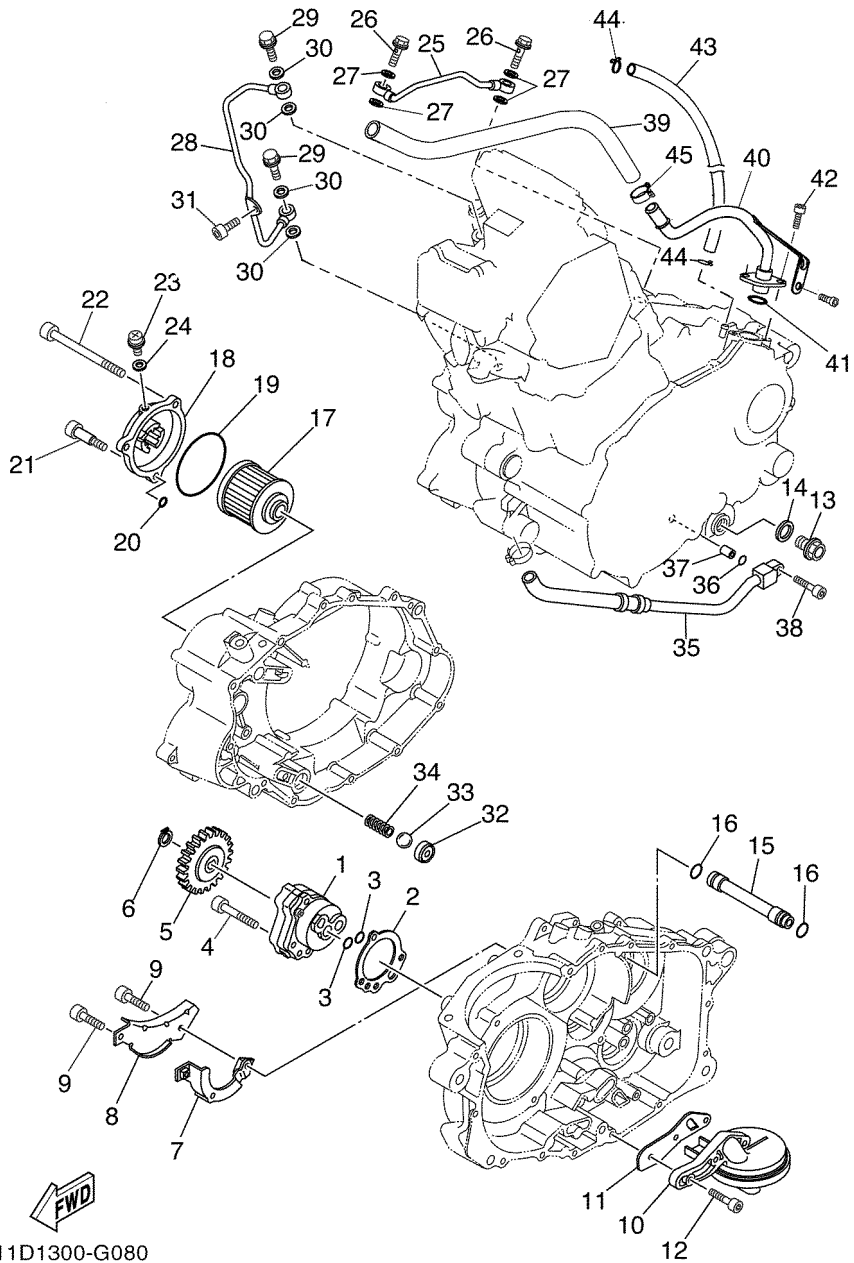


  
 5YK1300-E060



11D1300-G070

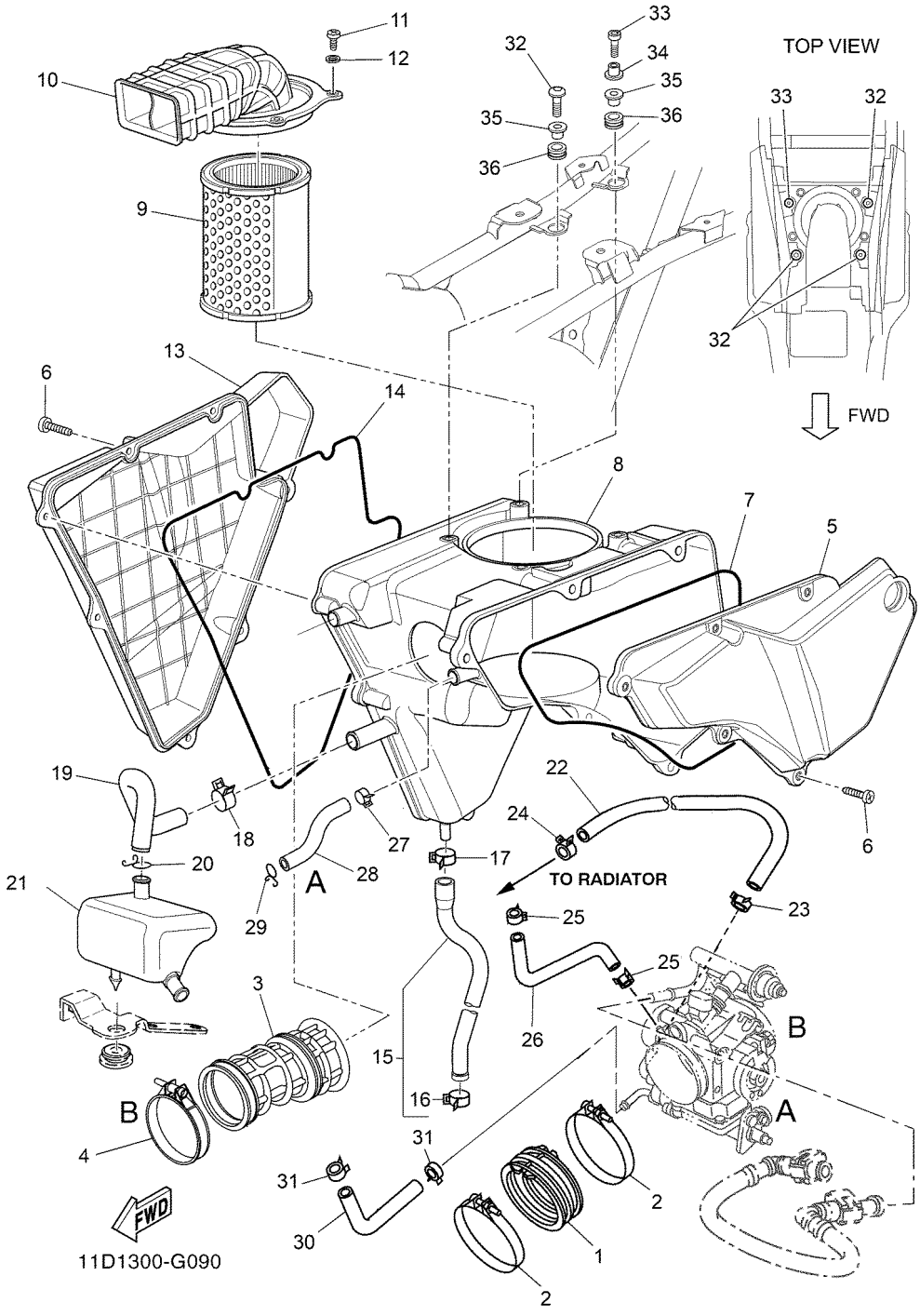
Ref No	Part No	Description
01	5VK-12410-00-00	Thermostat Assy
02	5VK-E2413-00-00	Cover, Thermostat
03	90105-06X06-00	Bolt, Flange
04	93210-41X00-00	O-ring
05	11D-E2578-00-00	Hose 3
06	90450-32X03-00	Hose Clamp Assy
07	11D-E2461-00-00	Radiator Assy
08	11D-E2405-00-00	Blower Assy
09	5VK-E2462-00-00	Cap, Radiator
10	5B2-E2675-00-00	Bolt, Blower Holding
11	5B2-E2623-00-00	Bolt
12	5B2-E2671-00-00	Nut 1
13	11D-E2662-00-00	Collar 1
14	11D-E2579-00-00	Hose 4
15	11D-E240J-00-00	Radiator Cover Assy1
16	90111-06X19-00	Bolt,hex. Socket Button
17	90387-06X02-00	Collar
18	90269-07007-00	Rivet
19	2VW-F1736-00-00	Nut,plate
20	90387-06042-00	Collar
21	90387-06648-00	Collar
22	90111-06X20-00	Bolt,hex. Socket Button
23	90111-06X19-00	Bolt,hex. Socket Button
24	11D-E2498-00-00	Protector
25	90111-06X17-00	Bolt,hex. Socket Button
26	90480-15363-00	Grommet
27	90480-18276-00	Grommet
28	90445-08X06-00	Hose
29	90464-08126-00	Clamp
30	11D-E240K-00-00	Radiator Cover Assy 2
31	11D-F1871-00-00	Tank, Recovery
32	90467-08003-00	Clip
33	5DS-F1771-00-00	Body, Cap
34	90110-06202-00	Bolt, Hexagon Socket Head
35	90387-06161-00	Collar
36	90480-14014-00	Grommet
37	11D-F1873-00-00	Bracket, Recovery Tank
38	90445-08X05-00	Hose



Ref No	Part No	Description
01	5LP-13300-00-00	Oil Pump Assy
02	5LP-13329-00-00	Gasket, Pump Cover
03	93210-13X00-00	O-ring
04	92017-06035-00	Bolt, Button Head
05	3AJ-13325-00-00	Gear, Pump Driven
06	93410-11X00-00	Circlip
07	5VK-E3356-00-00	Cover, Pump 2
08	5VK-E3327-00-00	Cover, Pump Gear
09	91317-05008-00	Bolt
10	5VK-WE343-00-00	Strainer Comp.
11	5VK-E3415-10-00	Seal, Oil Strainer
12	91317-06020-00	Bolt
13	90340-14132-00	Plug, Straight Screw
14	214-11198-01-00	Gasket
15	5VK-E3181-00-00	Pipe, Delivery 3
16	93210-11X00-00	O-ring
17	4X7-13440-01-00	Element Assy, Oil Cleaner
18	2WK-13447-00-00	Cover, Oil Element
19	93210-64X01-00	O-ring
20	93210-07X01-00	O-ring
21	90109-06419-00	Bolt
22	91317-06095-00	Bolt
23	90149-05110-00	Screw
24	90430-05X00-00	Gasket
25	5VK-13161-00-00	Pipe, Delivery 1
26	90401-08133-00	Bolt, Union
27	90430-08X01-00	Gasket
28	5VK-13171-00-00	Pipe, Delivery 2
29	90401-10096-00	Bolt, Union
30	90430-10X00-00	Gasket
31	91317-06012-00	Bolt
32	583-13113-00-00	Seat, Check Ball
33	93503-08007-00	Ball
34	90501-04X01-00	Spring, Compression
35	5VK-13464-00-00	Hose, Oil 1
36	93210-10X00-00	O-ring
37	91810-14X00-00	Pin, Dowel
38	91317-06025-00	Bolt
39	11D-13467-00-00	Hose
40	11D-13405-00-00	Oil Pipe Comp. 1
41	93210-15X00-00	O-ring
42	91317-06016-00	Bolt
43	90445-11X01-00	Hose
44	90467-10008-00	Clip
45	90450-20X01-00	Hose Clamp Assy

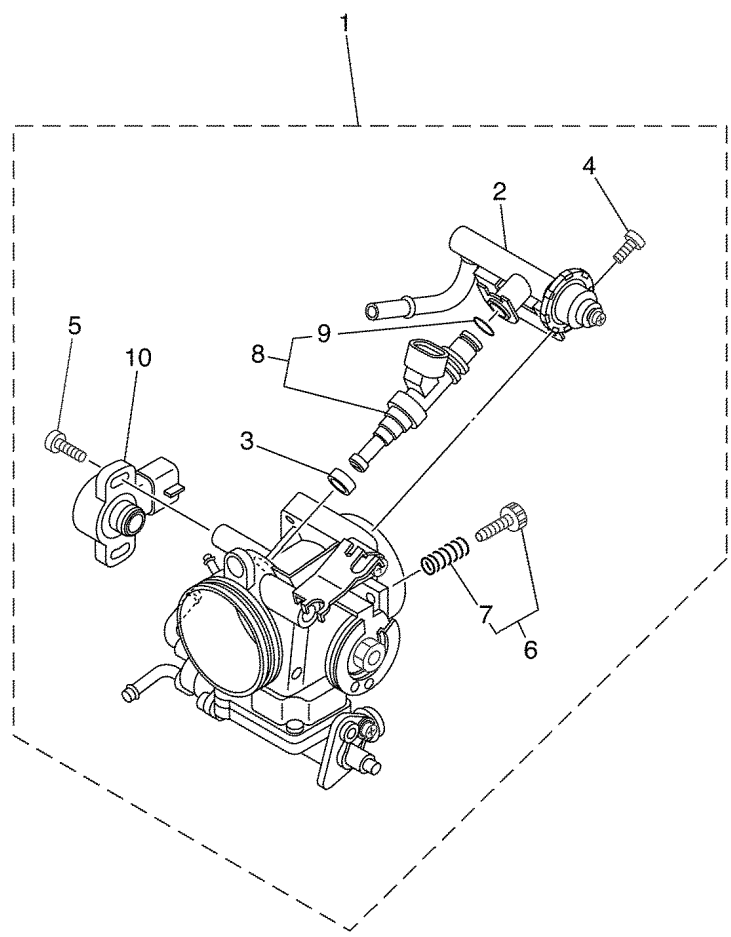
11D1300-G080





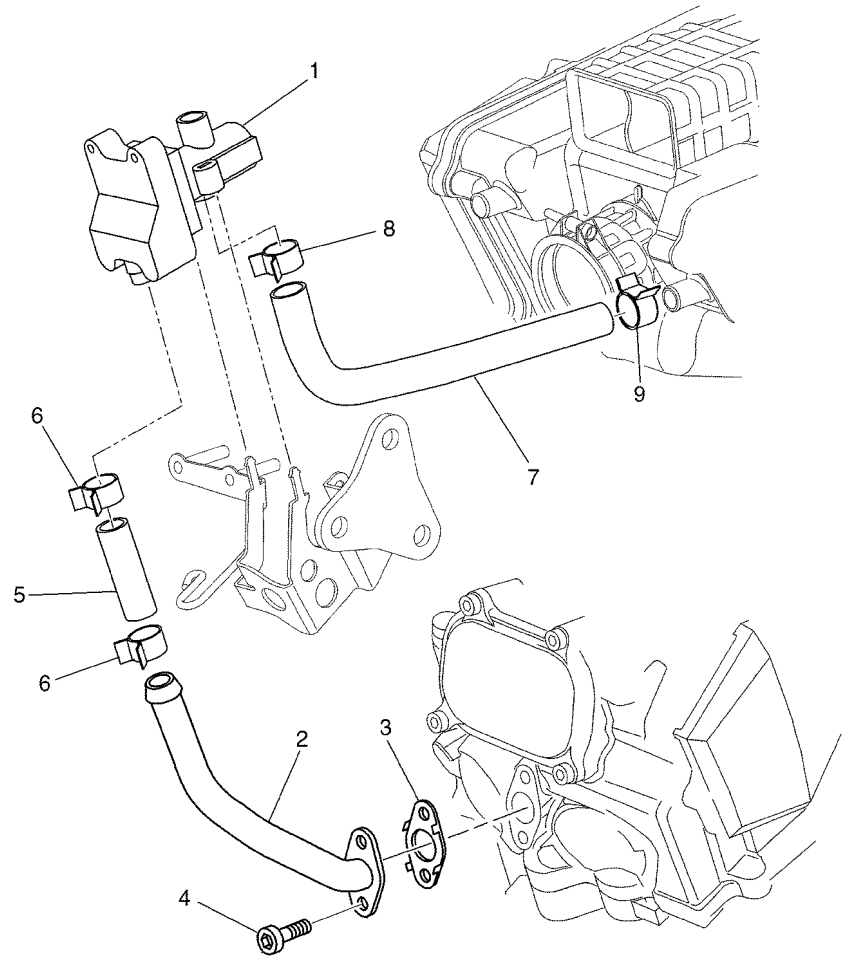
Ref No	Part No	Description
01	5VK-13586-00-00	Joint, Carburetor 1
02	90450-72001-00	Hose Clamp Assy
03	11D-E4453-00-00	Joint, Air Cleaner 1
04	90450-59001-00	Hose Clamp Assy
05	11D-E441A-00-00	Cover, Cleaner Case 1
06	9770M-50030-00	Screw, Tapping
07	11D-E4452-00-00	Seal
08	11D-E4411-00-00	Case, Air Cleaner 1
09	11D-E4451-00-00	Element, Air Cleaner
10	11D-E4430-00-00	Duct Assy
11	92507-06012-00	Screw, Pan Head
12	92907-06600-00	Washer, Plate
13	11D-E441E-00-00	Cover, Cleaner Case 2
14	11D-E4457-00-00	Seal
15	11D-E443E-00-00	Pipe, Drain
16	90467-11090-00	• . Clip
17	90467-12085-00	Clip
18	90467-17801-00	Clip
19	11D-E1167-00-00	Pipe, Breather 2
20	90467-14800-00	Clip
21	11D-E5371-00-00	Breather
22	5YK-E244G-00-00	Hose, 4
23	90467-11108-00	Clip
24	90467-11090-00	Clip
25	90467-07138-00	Clip
26	11D-E3542-00-00	Hose, Vacuum Sensing 1
27	90467-17128-00	Clip
28	11D-E3545-00-00	Hose 1
29	90467-170A2-00	Clip
30	5YK-E243A-00-00	Hose 1
31	90467-11108-00	Clip
32	90111-06051-00	Bolt,hex. Socket Button
33	9131L-06035-00	Bolt
34	90387-068P7-00	Collar
35	90387-07037-00	Collar
36	90480-18276-00	Grommet

Ref No	Part No	Description
01	5YK-13750-11-00	Throttle Body Assy
02	5VK-13160-00-00	• . Delivery Pipe Assy 1
03	90430-09002-00	• . Gasket
04	98507-06012-00	• . Screw, Pan Head
05	8CC-14216-10-00	• . Screw
06	5VK-14503-00-00	• . Adjust Screw Set
07	5VK-14531-00-00	•• .. Spring, Adjust Screw
08	5VK-13761-00-00	• . Injector
09	5PS-14147-00-00	•• .. O-ring
10	3P6-85885-00-00	• . Throttle Sensor Assy

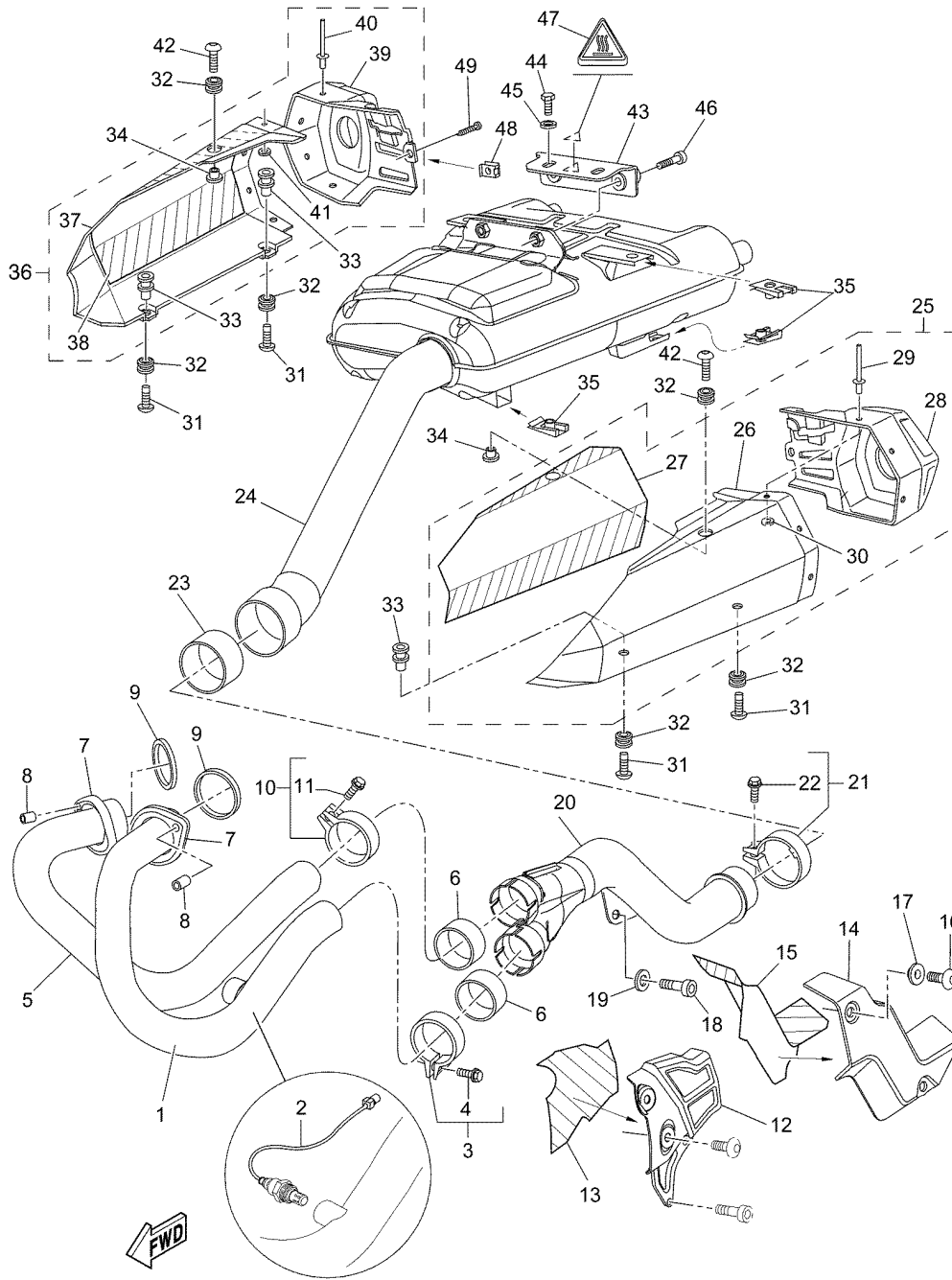


5VK1300-C100

Ref No	Part No	Description
01	5VK-14803-00-00	Air Induction System Assy
02	5VK-14871-02-00	Pipe 1
03	5VK-14815-00-00	Gasket
04	91380-06016-00	Bolt
05	11D-E4881-00-00	Hose, Bend 1
06	90467-17089-00	Clip
07	11D-E4882-00-00	Hose, Bend 2
08	90467-17089-00	Clip
09	90467-170A0-00	Clip



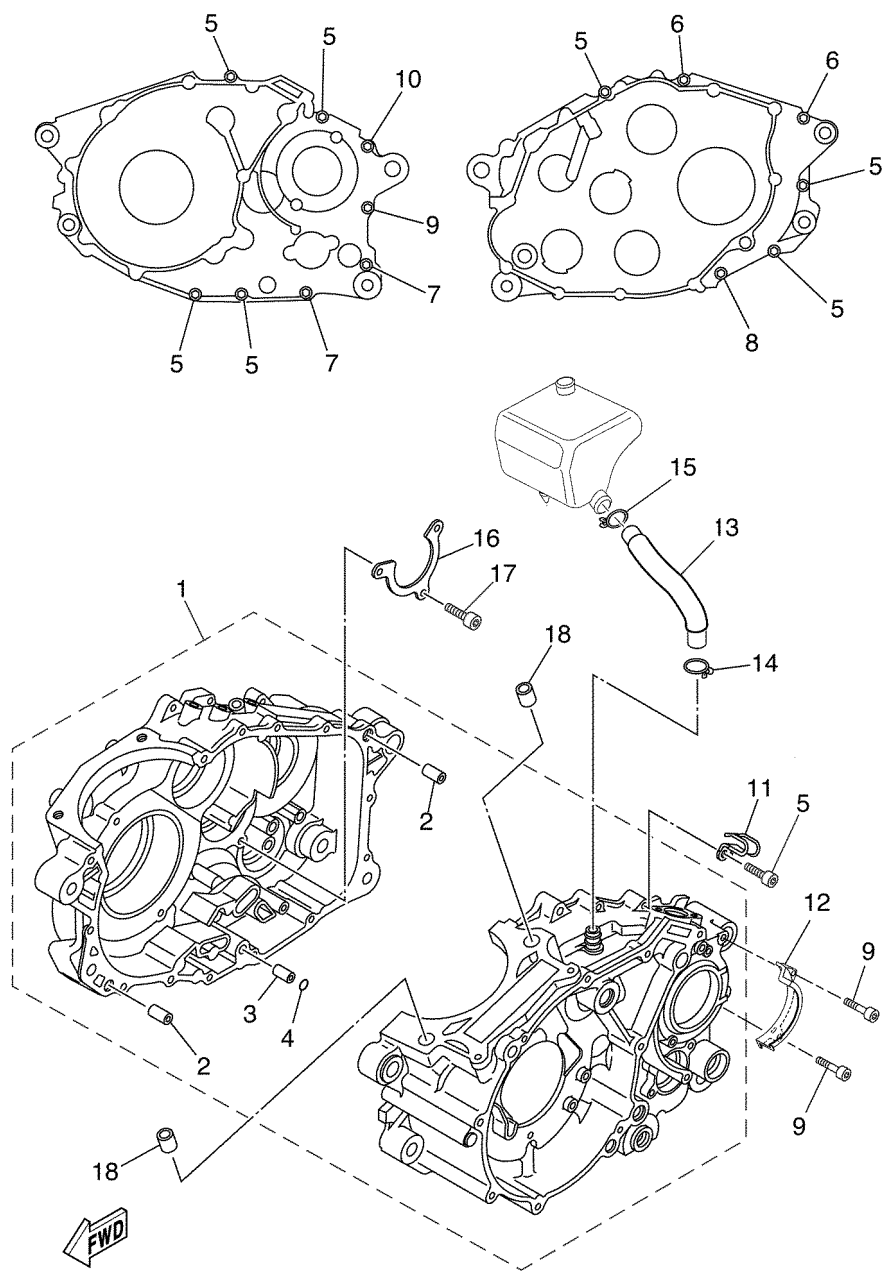
11D1300-G110



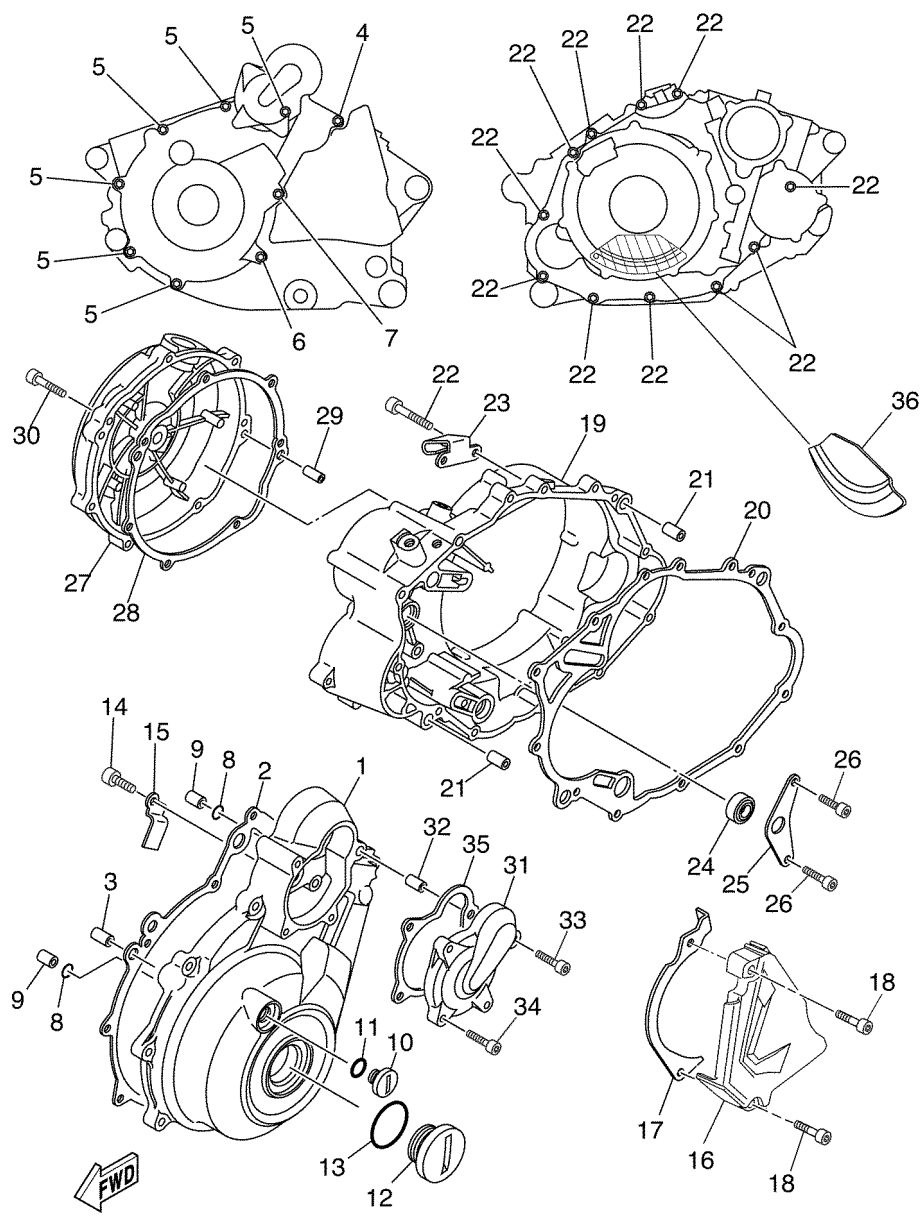
11D1300-G120

Ref No	Part No	Description
01	5YK-E4611-10-00	Pipe, Exhaust 1
02	1B9-8592A-00-00	Sensor, Oxygen
03	5YK-E477R-00-00	Band 1
04	9502L-08045-00	• . Bolt, Flange
05	5YK-E4621-00-00	Pipe, Exhaust 2
06	4EL-14714-00-00	Gasket, Muffler
07	5YK-E4612-00-00	Nut, Ring
08	90179-08442-00	Nut
09	3YF-14613-01-00	Gasket, Exhaust Pipe
10	5YK-E477T-00-00	Band 2
11	9502L-08045-00	• . Bolt, Flange
12	11D-E4628-00-00	Protector, Exhaust Pipe
13	11D-E113B-00-00	Insulator 3
14	11D-E4624-00-00	Cover, Exhaust
15	11D-E113B-10-00	Insulator 3
16	90111-06X17-00	Bolt,hex. Socket Button
17	90387-06X02-00	Collar
18	91380-08020-00	Bolt
19	5CH-E4766-00-00	Washer, Protector
20	11D-E4631-00-00	Pipe, Exhaust 3
21	11D-E4715-00-00	Band, Muffler
22	9502L-08045-00	• . Bolt, Flange
23	5YK-E4714-00-00	Gasket, Muffler
24	11D-E4710-00-00	Muffler Assy 1
25	11D-E4708-00-00	Protector Assy
26	11D-E4718-00-00	• . Protector, Muffler 1
27	11D-E111B-00-00	• . Insulator 1
28	11D-E4787-00-00	• . Cap, Silencer
29	90267-40X01-00	• . Rivet, Blind
30	9290L-04600-00	• . Washer
31	90111-06068-00	Bolt,hex. Socket Button
32	90480-12581-00	Grommet
33	11D-E4648-00-00	Collar 2
34	90387-06X36-00	Collar
35	2VW-F1736-00-00	Nut,plate
36	11D-E4708-10-00	Protector Assy
37	11D-E4728-00-00	• . Protector, Muffler 2
38	11D-E112B-00-00	• . Insulator 2
39	11D-E4798-00-00	• . Cap, Silencer 2
40	90267-40X01-00	• . Rivet, Blind
41	9290L-04600-00	• . Washer
42	90111-06023-00	Bolt,hex. Socket Button
43	11D-E4770-00-00	Stay, Muffler 1
44	95817-08014-00	Bolt, Flange
45	90201-086A3-00	Washer, Plate
46	91380-08030-00	Bolt
47	5YK-F117B-A0-00	Label, Warning
48	5DS-F8317-00-00	Nut, Emblem
49	90167-04X00-00	Screw, Tapping

Ref No	Part No	Description
01	5VK-E5100-00-00	Crankcase Assy
02	99530-12016-00	• Pin, Dowel
03	91808-16X00-00	• Pin, Dowel
04	93210-07X01-00	• O-ring
05	91317-06030-00	Bolt
06	91317-06045-00	Bolt
07	91317-06055-00	Bolt
08	91317-06060-00	Bolt
09	91317-06080-00	Bolt
10	91317-06090-00	Bolt
11	90462-07X00-00	Clamp
12	11D-E5492-01-00	Cover
13	5YK-E1166-00-00	Pipe, Breather 1
14	90467-14015-00	Clip
15	90467-14015-00	Clip
16	5VK-E5383-00-00	Plate, Bearing Cover
17	91317-06016-00	Bolt
18	99530-14016-00	Pin, Dowel



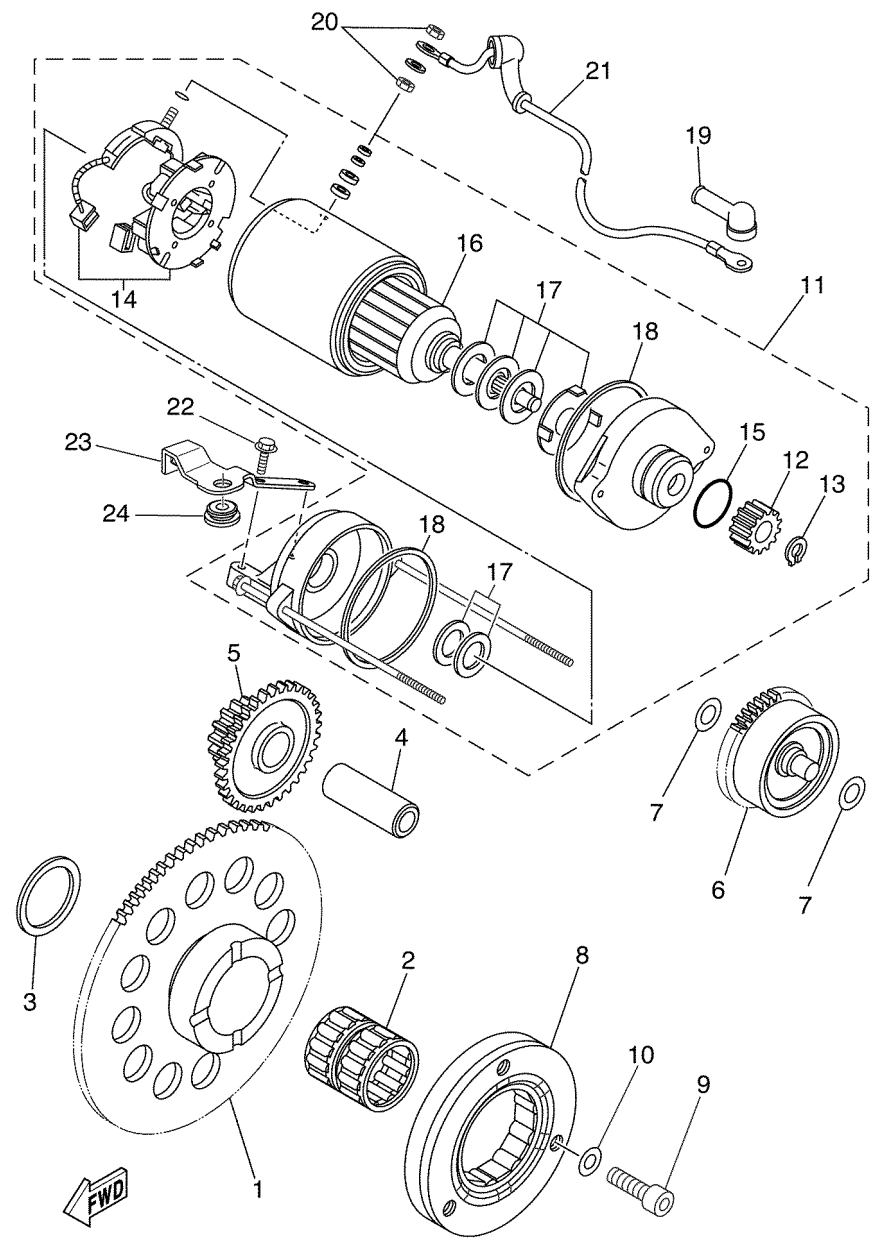
11D1300-G130



Ref No	Part No	Description
01	5VK-WE541-00-00	Crankcase Cover Assy 1
02	5VK-E5451-10-00	Gasket, Crankcase Cover 1
03	99530-12016-00	Pin, Dowel
04	91317-06035-00	Bolt
05	91317-06025-00	Bolt
06	91317-06050-00	Bolt
07	91317-06050-00	Bolt
08	93210-13X00-00	O-ring
09	99530-12016-00	Pin, Dowel
10	90340-14X00-00	Plug, Straight Screw
11	93210-14X00-00	O-ring
12	90340-36X00-00	Plug, Straight Screw
13	93210-35X00-00	O-ring
14	91317-06012-00	Bolt
15	90462-16X00-00	Clamp
16	11D-E5421-00-00	Cover, Crankcase 2
17	5VK-E7466-00-00	Guide, Chain
18	91317-06045-00	Bolt
19	5VK-E5431-00-00	Cover, Crankcase 3
20	5VK-E5462-10-00	Gasket, Crankcase Cover 3
21	99530-12016-00	Pin, Dowel
22	91317-06030-00	Bolt
23	5VK-E5441-01-00	Holder, Clutch Cable
24	93101-14164-00	Oil Seal
25	5VK-E5118-00-00	Holder
26	91317-06012-00	Bolt
27	5VK-E5416-00-00	Cover, Oil Pump
28	5VK-E5453-10-00	Gasket
29	91808-16X00-00	Pin, Dowel
30	90105-06X20-00	Bolt, Flange
31	5VK-WE544-00-00	Generator Cover Assy
32	91808-16X00-00	Pin, Dowel
33	91317-06035-00	Bolt
34	91317-06025-00	Bolt
35	5VK-15455-00-00	Gasket 1
36	11D-E5491-00-00	Protector

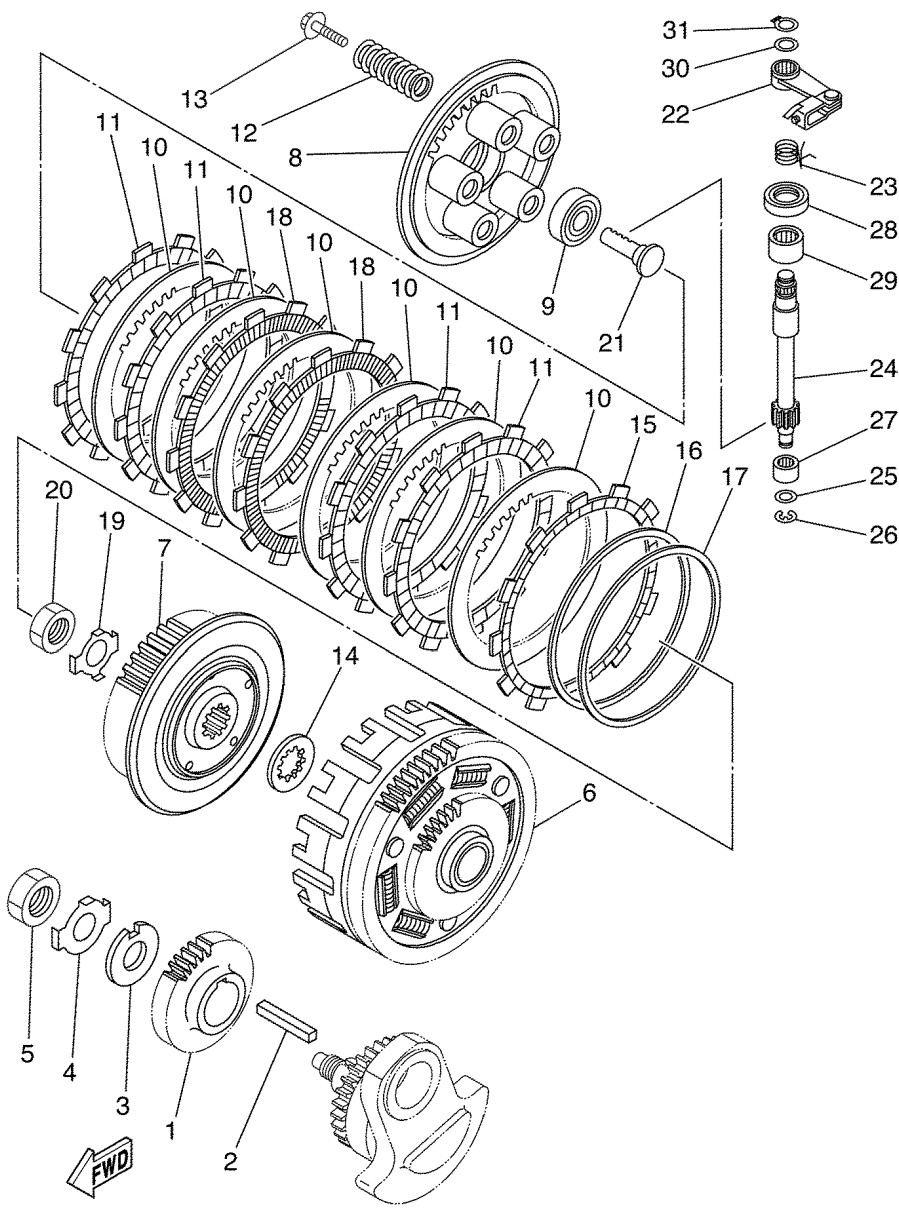
11D1300-G140

Ref No	Part No	Description
01	3YF-15515-00-00	Gear 3
02	93310-530C7-00	Bearing
03	90201-30X01-00	Washer, Plate
04	5VK-E5522-00-00	Shaft 2
05	5VK-15517-00-00	Gear, Idler 2
06	5VK-E5560-00-00	Damper Assy
07	90201-10X18-00	Washer, Plate
08	5VK-15590-00-00	Starter One-way Assy
09	91317-08025-00	Bolt
10	90201-08X18-00	Washer, Plate
11	3SX-81890-00-00	Motor Assy
12	1VJ-15511-00-00	. Gear, Starting Motor
13	93440-11024-00	. Circlip
14	3AJ-81801-00-00	. Brush Set
15	1FK-81847-00-00	. O-ring
16	3AJ-81850-00-00	. Armature Assy
17	3AJ-81809-00-00	. Washer Kit
18	11H-81844-00-00	. Gasket
19	4G0-81871-00-00	Cap
20	4XV-8182A-00-00	Nut
21	5VK-81815-00-00	Cord, Starter Motor
22	95817-06035-00	Bolt, Flange
23	11D-E5199-00-00	Bracket
24	90480-13398-00	Grommet



11D1300-G150

Ref No	Part No	Description
01	5VK-E6111-00-00	Gear, Primary Drive
02	90282-07001-00	Key, Straight
03	90209-20012-00	Washer
04	90215-20X00-00	Washer, Lock
05	90170-20274-00	Nut
06	5VK-E6150-00-00	Primary Driven Gear Comp.
07	5VK-16371-00-00	Boss, Clutch
08	5VK-16351-00-00	Plate, Pressure 1
09	93306-00304-00	Bearing
10	4X7-16325-00-00	Plate, Clutch 2
11	22U-16321-00-00	Plate, Friction
12	90501-260A1-00	Spring, Compression
13	90119-06105-00	Bolt, With Washer
14	2JN-16154-00-00	Plate, Thrust 1
15	5VK-16331-00-00	Plate, Friction 2
16	5JG-16383-00-00	Spring, Clutch Boss
17	5JG-16384-00-00	Plate, Seat
18	5TA-16321-00-00	Plate, Friction
19	90215-20X01-00	Washer, Lock
20	90170-20327-00	Nut
21	4XV-16356-01-00	Rod, Push 1
22	5VK-16340-00-00	Push Lever Assy
23	90508-16X00-00	Spring, Torsion
24	5VK-E6382-00-00	Axle, Push Lever
25	90201-08X19-00	Washer, Plate
26	99001-07600-00	Circlip
27	93317-11020-00	Bearing
28	93102-15212-00	Oil Seal
29	93315-31502-00	Bearing
30	90201-10X17-00	Washer, Plate
31	99009-10400-00	Circlip

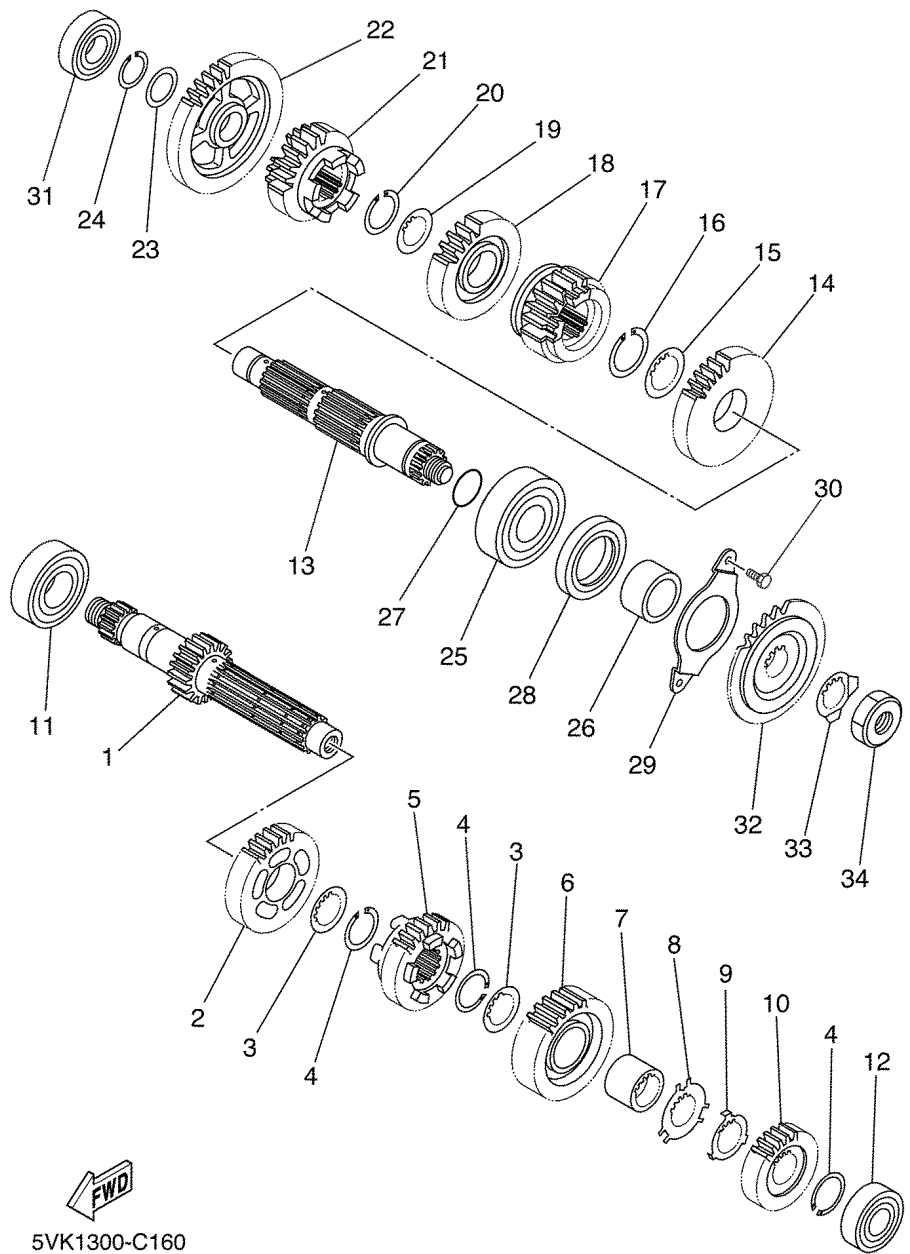


5VK1300-C150

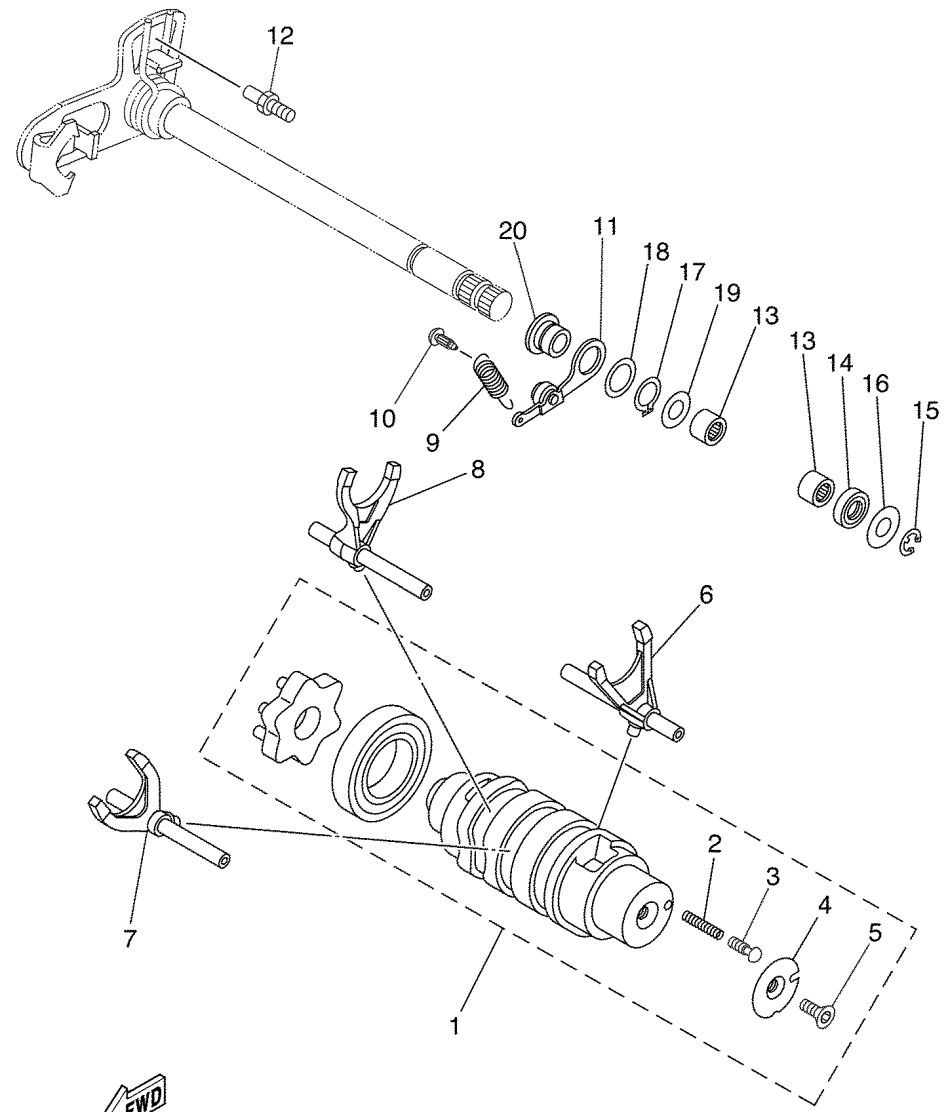


**TRANSMISSION**

Ref No	Part No	Description
01	5VK-E7401-00-00	Main Axle Assy(12t)
02	5VK-E7141-00-00	Gear, 4th Pinion (22t)
02	5VK-E7141-10-00	Gear, 4th Pinion (22t)
03	90209-21X00-00	Washer
04	93440-25084-00	Circlip
05	5VK-E7131-00-00	Gear, 3rd Pinion (20t)
06	5VK-E7151-00-00	Gear, 5th Pinion (26t)
06	5VK-E7151-10-00	Gear, 5th Pinion (26t)
07	90387-21002-00	Collar
08	90209-22X00-00	Washer
09	90209-21351-00	Washer
10	5VK-E7121-00-00	Gear, 2nd Pinion (16t)
11	93306-205XA-00	Bearing
12	93306-004XL-00	Bearing
13	5VK-E7402-00-00	Drive Axle Assy
14	5VK-E7221-00-00	Gear, 2nd Wheel (26t)
15	90209-26348-00	Washer
16	93440-28062-00	Circlip
17	5VK-E7251-00-00	Gear, 5th Wheel (20t)
18	5VK-E7231-00-00	Gear, 3rd Wheel (23t)
19	90209-21X00-00	Washer
20	93440-25084-00	Circlip
21	5VK-E7241-00-00	Gear, 4th Wheel (20t)
22	5VK-E7211-00-00	Gear, 1st Wheel (30t)
23	90201-208G4-00	Washer, Plate
24	93410-20825-00	Circlip
25	93306-305X4-00	Bearing
26	90387-25802-00	Collar
27	93210-22X00-00	O-ring
28	93102-35368-00	Oil Seal
29	5VK-E7471-00-00	Plate, Cover
30	90101-06X26-00	Bolt
31	93306-004XM-00	Bearing
32	5VK-E7460-10-00	Sprocket, Drive
33	90215-21X00-00	Washer, Lock
34	90179-18003-00	Nut



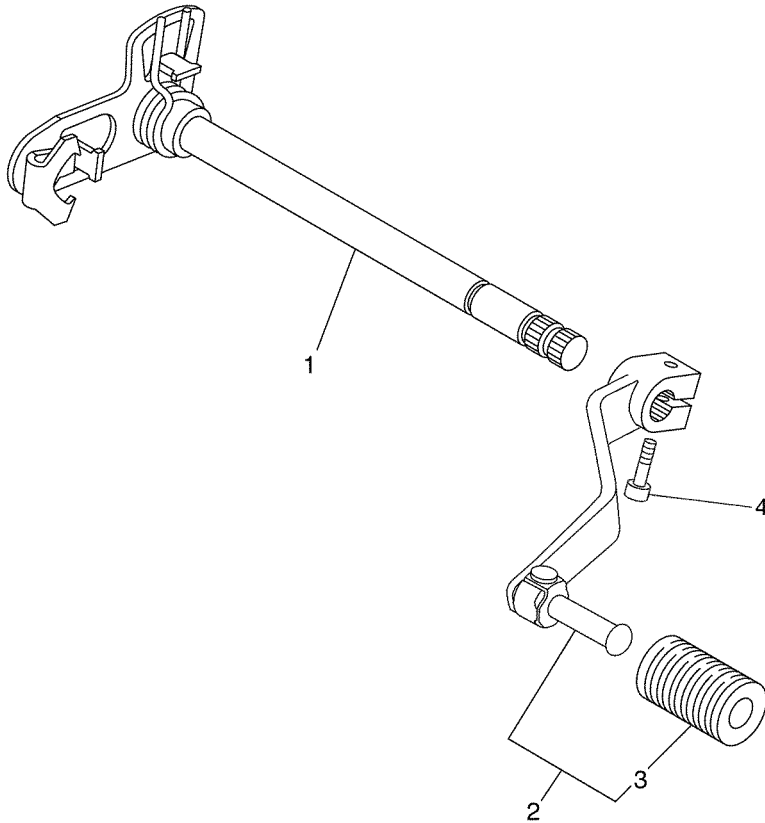
**FWD**  
 5VK1300-C160



Ref No	Part No	Description
01	5VK-18540-00-00	Shift Cam Assy
02	90501-06022-00	• Spring, Compression
03	4UN-18542-00-00	• Point, Neutral
04	4UN-18566-00-00	• Plate, Side 2
05	90149-05321-00	• Screw
06	5VK-E8501-00-00	Fork, Shift 1
07	5VK-E8502-00-00	Fork, Shift 2
08	5VK-E8503-00-00	Fork, Shift 3
09	5VK-E8144-00-00	Hanger, Spring
10	132-16346-00-00	Hook, Spring
11	5JW-18140-00-00	Stopper Lever Assy
12	5VK-18127-00-00	Stopper, Screw
13	93315-11206-00	Bearing
14	93102-12106-00	Oil Seal (sd 12-22-5 Hs)
15	99001-10600-00	Circlip
16	90201-12X06-00	Washer, Plate
17	93410-17X00-00	Circlip
18	90201-17X01-00	Washer, Plate
19	90201-12X05-00	Washer, Plate
20	5VK-E8699-00-00	Boss 1

**FWD**  
 5VK1300-C170

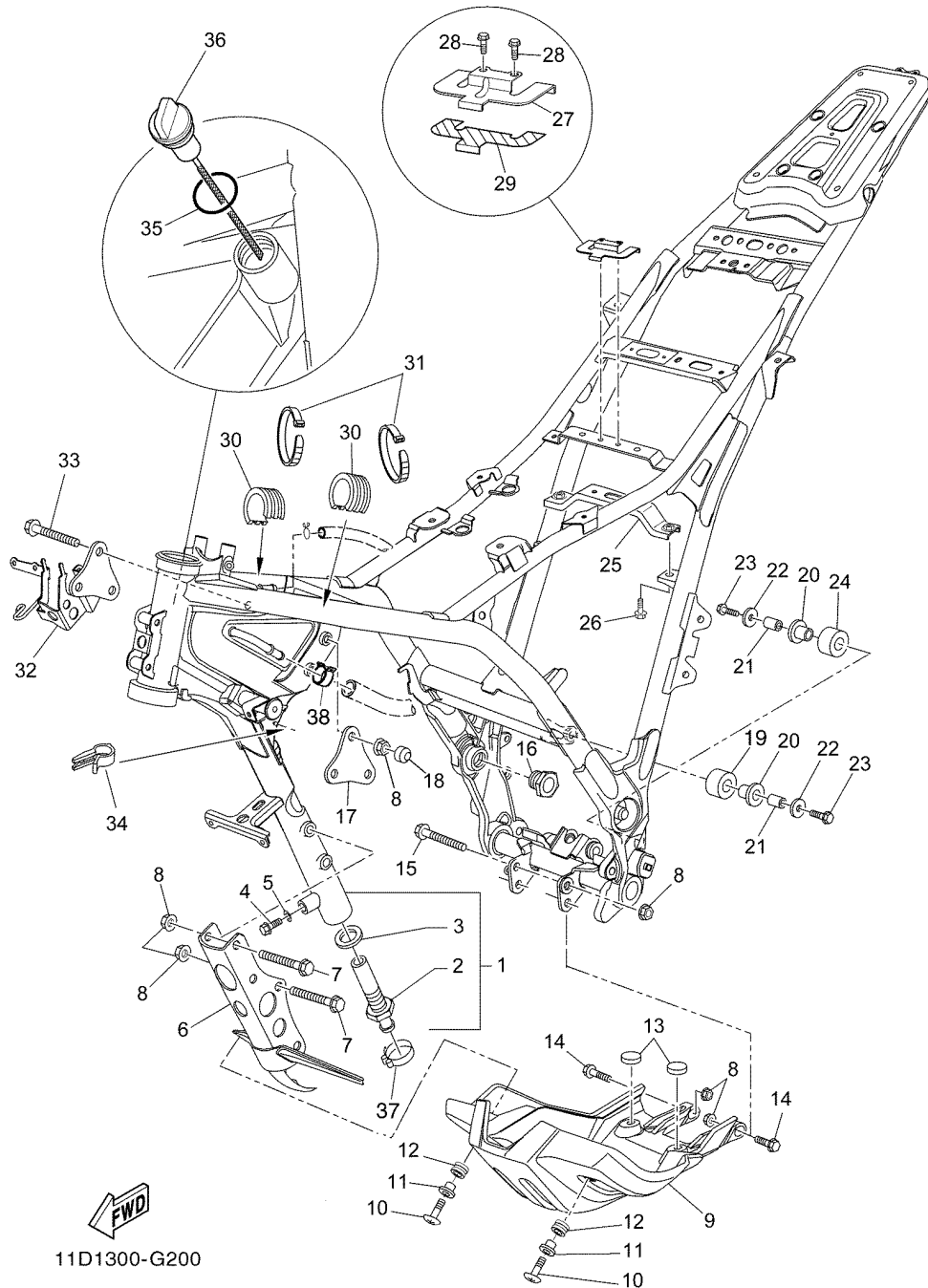
Ref No	Part No	Description
01	5VK-18101-00-00	Shift Shaft Assy
02	11D-E8110-00-00	Shift Pedal Assy
03	5VK-E8113-00-00	• Cover, Shift Pedal
04	91317-06020-00	Bolt



11D1300-G190

Ref No Part No Description

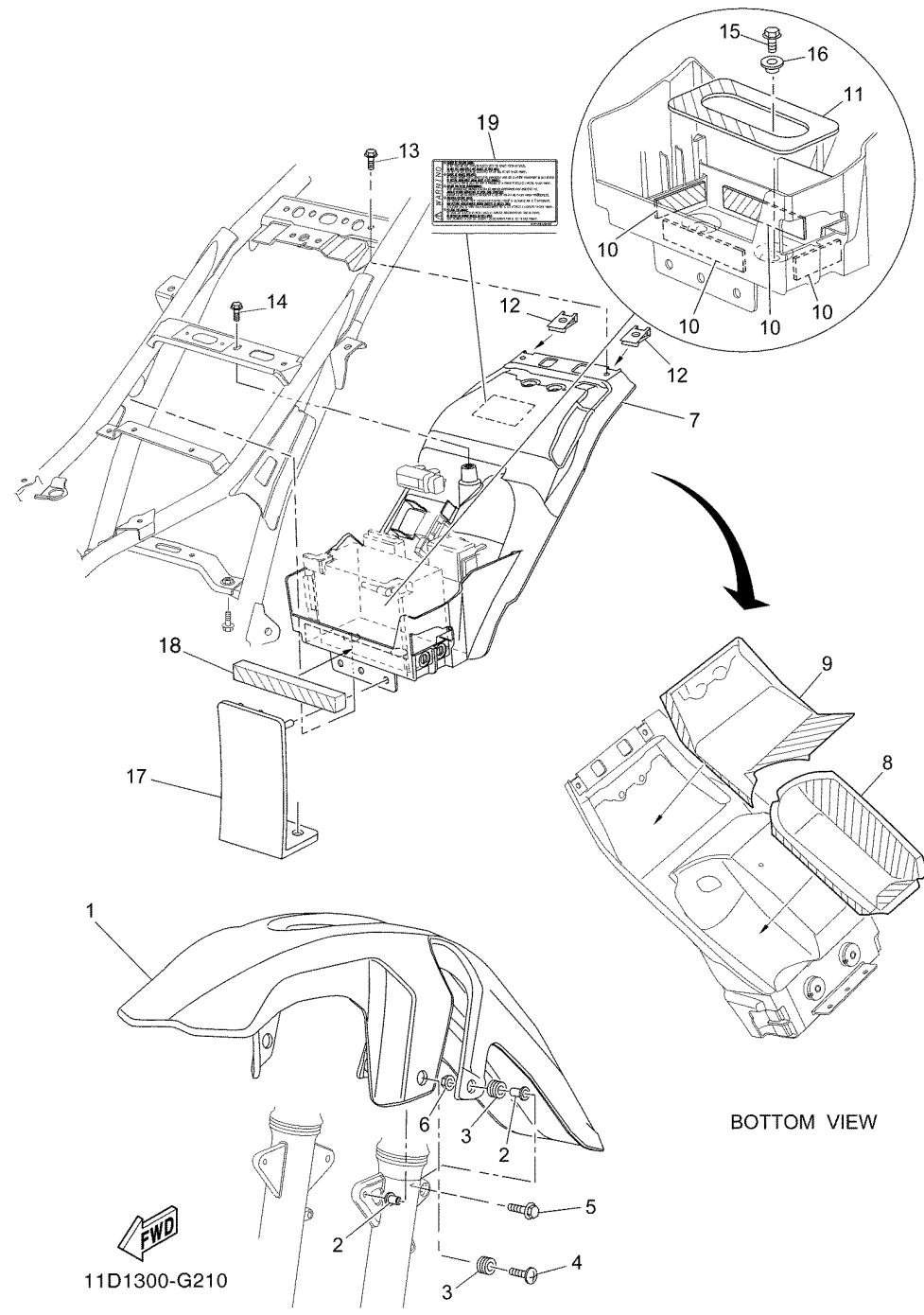
01	11D-F1110-00-98	Frame Comp.
02	5VK-F1756-00-00	• . Net, Filter
03	90430-22123-00	• . Gasket
04	95807-08012-00	Bolt, Flange
05	90430-08119-00	Gasket
06	11D-F1400-00-00	Engine Bracket Comp.
07	95817-10070-00	Bolt, Flange
08	95607-10200-00	Nut, U Flange
09	11D-F1471-00-00	Protector, Engine
10	90154-06061-00	Screw, Binding
11	90387-065J6-00	Collar
12	90480-12072-00	Grommet
13	2J5-21732-00-00	Seal 1
14	95817-10035-00	Bolt, Flange
15	90105-10733-00	Bolt, Flange
16	11D-F1494-00-00	Nut
17	11D-F1315-00-00	Stay, Engine 2
18	5YK-F1399-00-00	Cap
19	10V-22178-00-00	Tensioner
20	10V-22184-00-00	Bush
21	90387-08024-00	Collar
22	90201-082H0-00	Washer, Plate
23	95827-08040-00	Bolt, Flange
24	30X-22178-00-00	Tensioner
25	11D-F1344-00-00	Bracket, Battery Box
26	9581M-06012-00	Bolt, Flange
27	11D-F118W-10-00	Stopper
28	95807-06010-00	Bolt, Flange
29	11D-F177M-00-00	Damper, Locating 3
30	11D-F4183-00-00	Damper, Locating 3
31	2AJ-F3192-50-00	Band
32	11D-F1410-00-00	Engine Bracket Comp.
33	90105-10212-00	Bolt, Flange
34	90464-10X03-00	Clamp
35	93210-19123-00	O-ring
36	11D-F1761-00-00	Gauge, Level
37	90450-20X01-00	Hose Clamp Assy
38	90467-17800-00	Clip



11D1300-G200

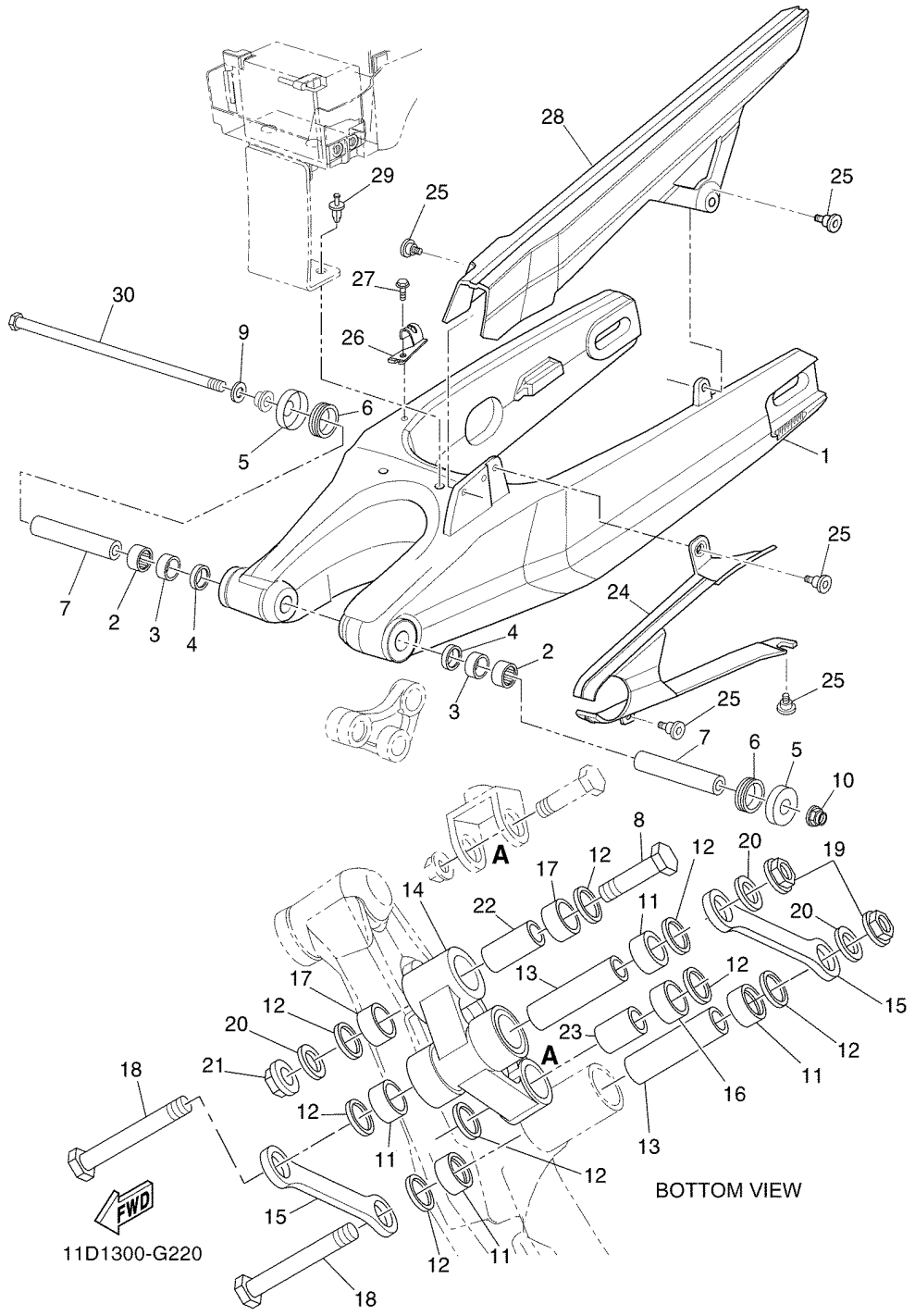
**FENDER**

Ref No	Part No	Description
01	11D-F1511-00-P0	Fender, Front
01	11D-F1511-00-P1	Fender, Front
01	11D-F1511-00-P2	Fender, Front
02	90387-065J6-00	Collar
03	90480-12497-00	Grommet
04	90154-06061-00	Screw, Binding
05	95024-06025-00	Bolt, Flange
06	90179-06403-00	Nut
07	11D-F177G-00-00	Box, Battery
08	11D-F174A-01-00	Insulator, Side Cover
09	11D-F174T-00-00	Insulator, Side Cover 2
10	11D-F1779-00-00	Damper, Locating 2
11	11D-F1778-00-00	Damper, Locating 1
12	2VW-F1736-00-00	Nut, plate
13	95807-06016-00	Bolt, Flange
14	95807-06008-00	Bolt, Flange
15	95807-06016-00	Bolt, Flange
16	90387-06202-00	Collar
17	11D-F1629-00-00	Guard, Mud
18	11D-F177N-00-00	Damper, Locating 4
19	11D-F819R-00-00	Tag, Warning



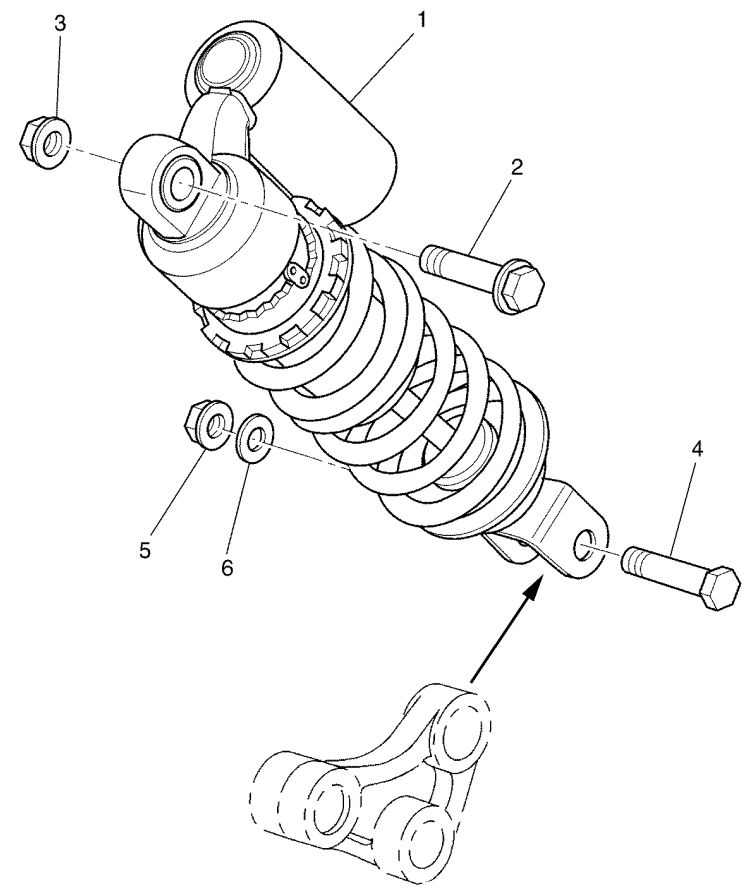
**FWD**  
 11D1300-G210

BOTTOM VIEW



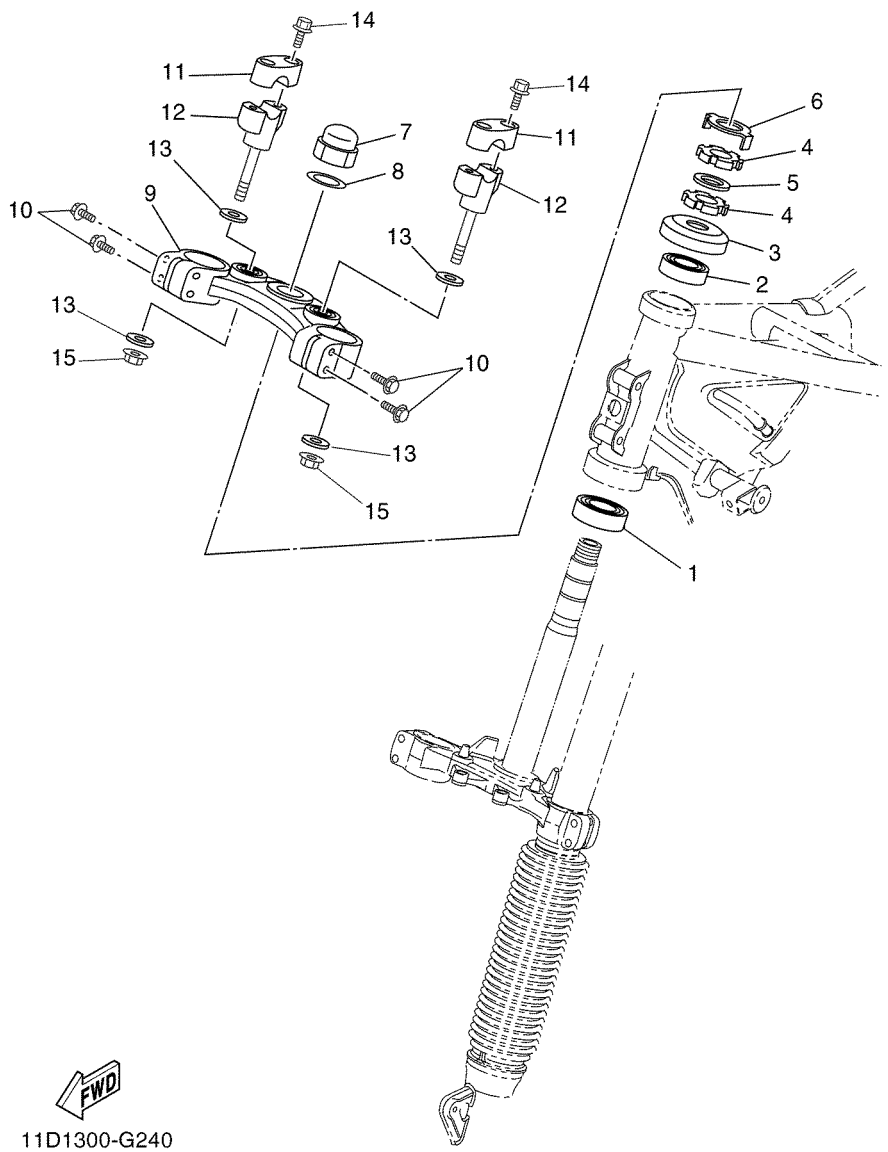
Ref No	Part No	Description
01	11D-F2110-00-00	Rear Arm Comp.
02	93315-22251-00	Bearing
03	90380-22111-00	Bush, Solid
04	93106-22019-00	Oil Seal (dc 22-28-8)
05	30X-2219X-00-00	Cover
06	93108-35004-00	Oil Seal (35-41-8)
07	11D-F2123-00-00	Bush 1
08	90101-12002-00	Bolt
09	90201-16021-00	Washer, Plate
10	95604-16200-00	Nut, U Flange
11	93317-21746-00	Bearing
12	93109-17071-00	Oil Seal
13	90387-126Y1-00	Collar
14	11D-F217A-00-00	Arm, Relay
15	5JN-F217M-00-00	Arm 1
16	93317-31771-00	Bearing
17	93315-31758-00	Bearing
18	90109-12X00-00	Bolt
19	90185-12119-00	Nut, Self-locking
20	90201-124G9-00	Washer, Plate
21	95617-12100-00	Nut, U
22	90387-124V0-00	Collar
23	90387-127W0-00	Collar
24	11D-F2151-00-00	Seal, Guard
25	1C3-22969-10-00	Screw, 1
26	11D-F1823-00-00	Clamp, Hose
27	95027-06012-00	Bolt, Flange
28	11D-F2311-00-00	Case, Chain
29	90269-08066-00	Rivet
30	4YR-22141-10-00	Shaft, Pivot

Ref No	Part No	Description
01	11D-F2210-00-00	Shock Absorber Assy, Rear
02	90105-12028-00	Bolt, Flange
03	95607-12200-00	Nut, Self-locking
04	90101-10659-00	Bolt
05	95607-10200-00	Nut, U Flange
06	90201-101J1-00	Washer, Plate



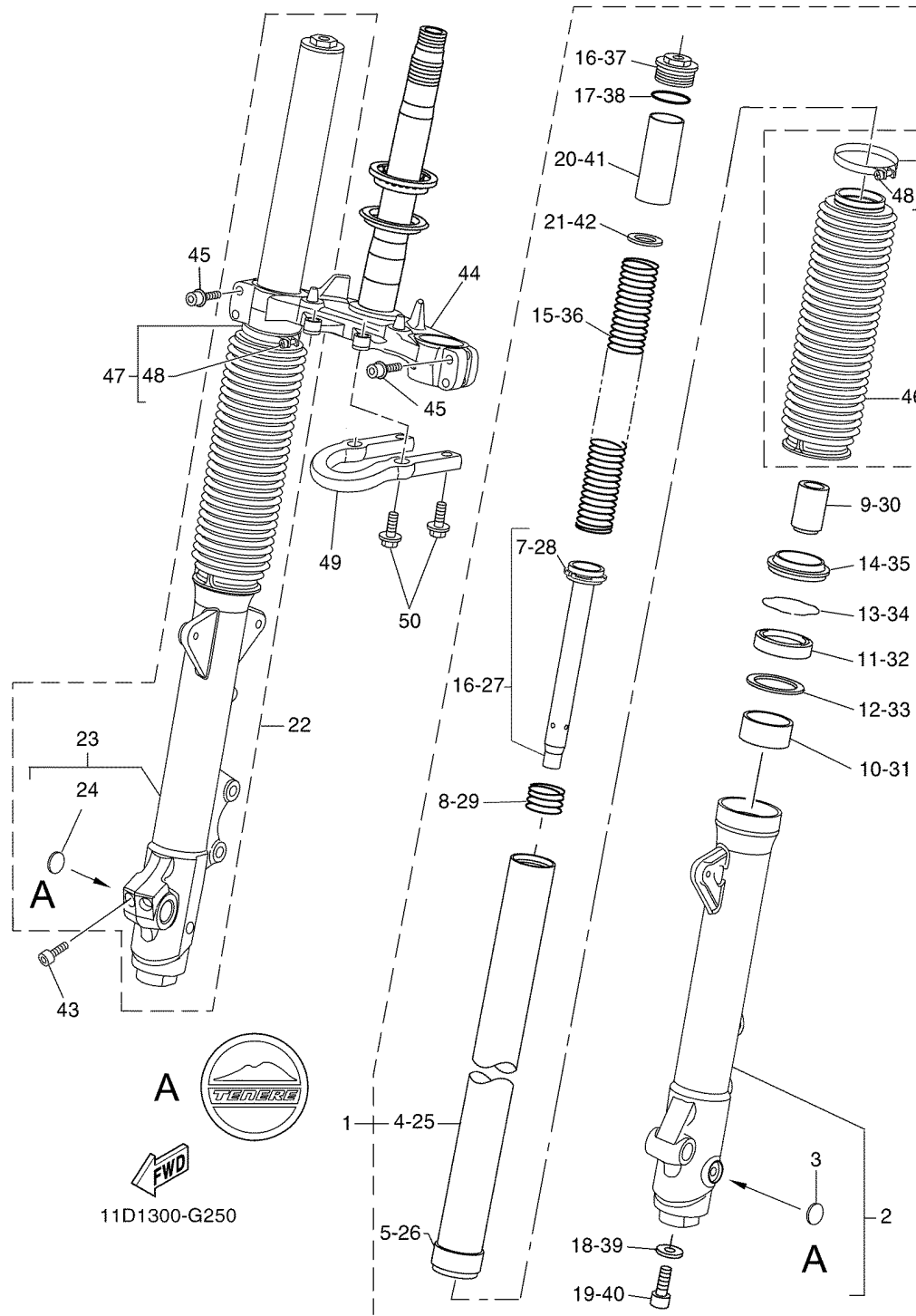
11D1300-G230

Ref No	Part No	Description
01	93332-00008-00	Bearing
02	93332-00001-00	Bearing
03	1W1-23416-00-00	Cover, Ball Race 2
04	90179-25615-00	Nut
05	90202-26142-00	Washer, Plate
06	3YF-23418-00-00	Washer, Special
07	90176-22081-00	Nut, Crown
08	90201-220T0-00	Washer, Plate
09	11D-F3430-00-00	Handle Crown Comp.
10	90105-08154-00	Bolt, Flange
11	1E6-23441-10-35	Holder, Handle Upper
12	3AJ-23442-00-35	Holder, Handle Lower
13	90201-10141-00	Washer, Plate
14	90105-08154-00	Bolt, Flange
15	95607-10200-00	Nut, U Flange



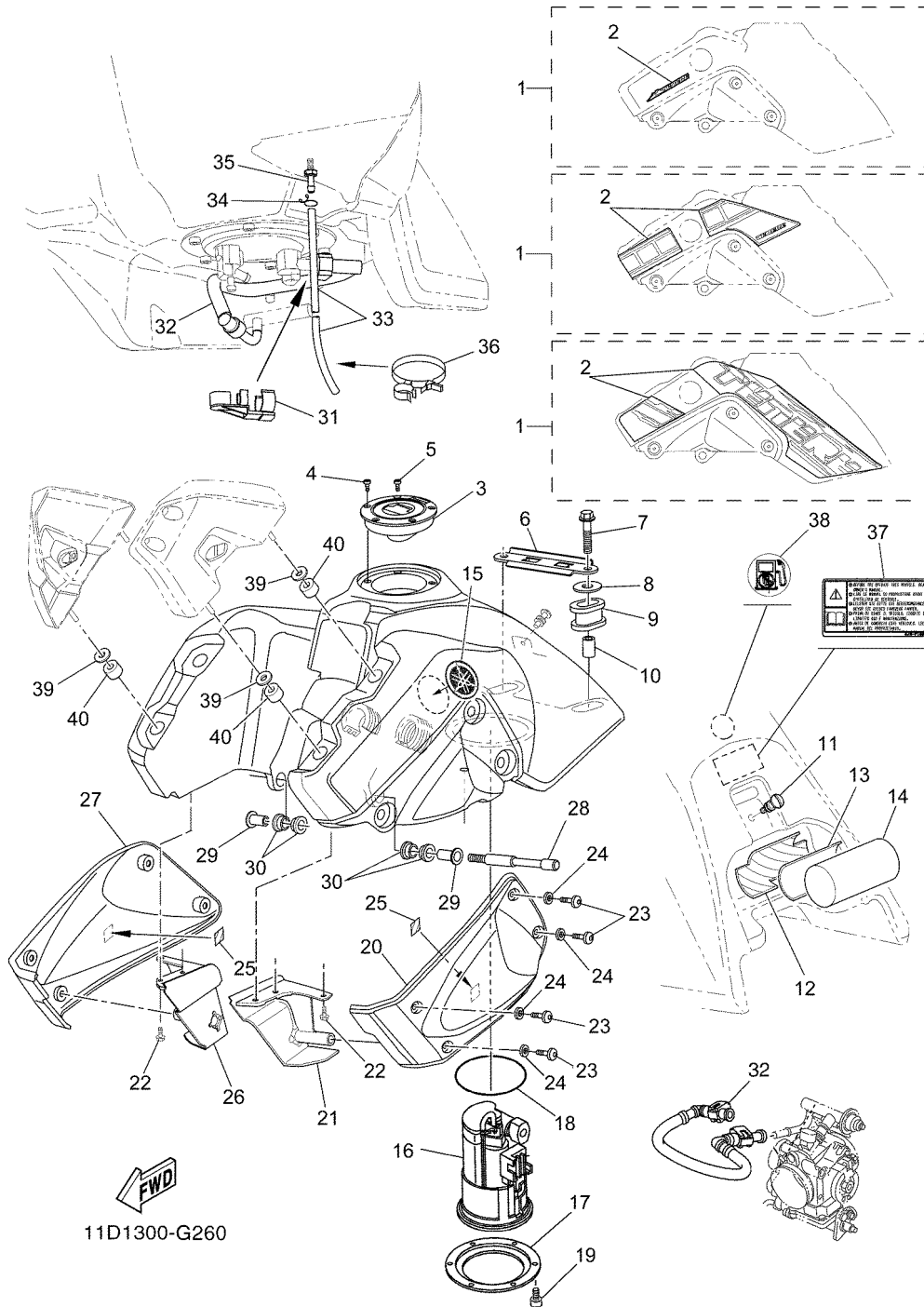
11D1300-G240





Ref No	Part No	Description
01	11D-F3102-00-00	Front Fork Assy (l.h)
02	11D-F3126-00-00	• . Tube, Outer (left)
03	11D-F3108-00-00	•• .. Emblem
04	11D-F3110-00-00	• . Inner Tube Comp.1
05	3XJ-23171-L0-00	• . Piston, Front Fork
06	11D-F3170-00-00	• . Cylinder Comp., Front Fork
07	5VK-F3157-00-00	•• .. Ring, Piston
08	5VK-F3151-00-00	• . Spring, Rebound
09	5VK-F3173-00-00	• . Spindle, Taper
10	3XJ-23125-L0-00	• . Metal, Slide 1
11	4DA-23145-L0-00	• . Oil Seal
12	5VK-F3146-00-00	• . Washer, Oil Seal
13	5VK-F3153-00-00	• . Ring, Snap
14	4DA-23144-L0-00	• . Seal, Dust
15	11D-F3141-00-00	• . Spring, Front Fork
16	11D-F3111-00-00	• . Bolt, Cap
17	4V4-23188-L0-00	• . O-ring
18	5JH-F3158-00-00	• . Gasket
19	5VK-F3181-00-00	• . Bolt, Hexagon Socket Head
20	11D-F3118-00-00	• . Spacer
21	5VK-F3149-00-00	• . Washer, Spring Upper
22	11D-F3103-00-00	Front Fork Assy (r.h)
23	11D-F3136-00-00	• . Tube, Outer (right)
24	11D-F3108-00-00	•• .. Emblem
25	11D-F3110-00-00	• . Inner Tube Comp.1
26	3XJ-23171-L0-00	• . Piston, Front Fork
27	11D-F3170-00-00	• . Cylinder Comp., Front Fork
28	5VK-F3157-00-00	•• .. Ring, Piston
29	5VK-F3151-00-00	• . Spring, Rebound
30	5VK-F3173-00-00	• . Spindle, Taper
31	3XJ-23125-L0-00	• . Metal, Slide 1
32	4DA-23145-L0-00	• . Oil Seal
33	5VK-F3146-00-00	• . Washer, Oil Seal
34	5VK-F3153-00-00	• . Ring, Snap
35	4DA-23144-L0-00	• . Seal, Dust
36	11D-F3141-00-00	• . Spring, Front Fork
37	11D-F3111-00-00	• . Bolt, Cap
38	4V4-23188-L0-00	• . O-ring
39	5JH-F3158-00-00	• . Gasket
40	5VK-F3181-00-00	• . Bolt, Hexagon Socket Head
41	11D-F3118-00-00	• . Spacer
42	5VK-F3149-00-00	• . Washer, Spring Upper
43	5VK-F3128-00-00	• . Bolt, Axle Holder
44	5VK-F3340-00-00	Under Bracket Comp.
45	5SE-F3394-00-00	Bolt, Special
46	11D-F3191-00-00	Boot
47	11D-F3192-00-00	Band
48	98580-04016-00	• . Screw, Pan Head
49	11D-F1165-00-00	Handle, Standing
50	95812-06030-00	Bolt, Flange

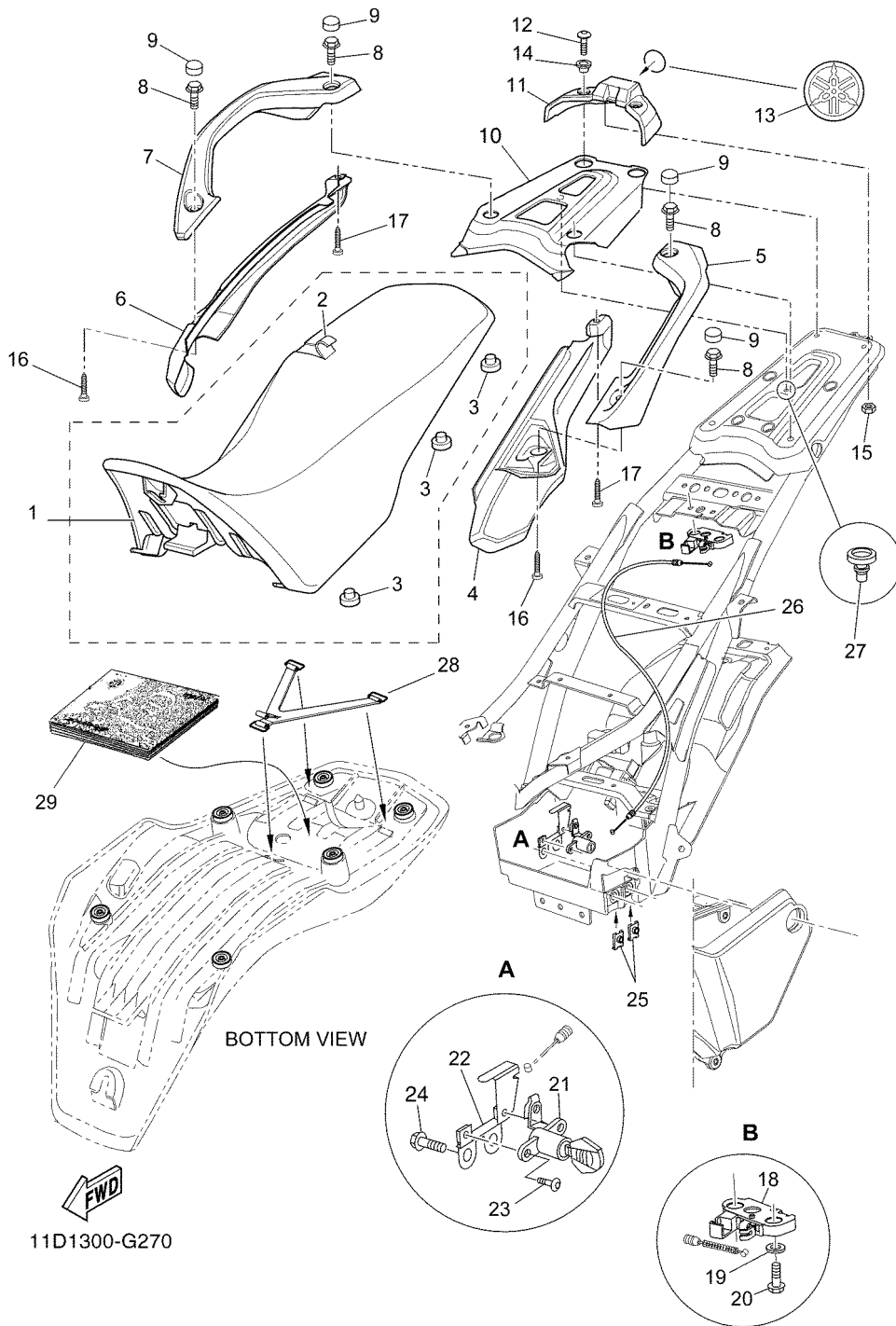
**FUEL TANK**



Ref No	Part No	Description
01	11D-XF411-00-P0	Fuel Tank Comp.
01	11D-XF411-00-P1	Fuel Tank Comp.
01	11D-XF411-00-P2	Fuel Tank Comp.
02	11D-F4230-00-00	• . Graphic Set
02	11D-F4240-00-00	• . Graphic Set
02	11D-F4250-00-00	• . Graphic Set
03	11D-24602-00-00	Cap Assy
04	90110-05112-00	Bolt, Hexagon Socket Head
05	91317-05010-00	Bolt
06	11D-F4192-00-00	Bracket, Fuel Tank 2
07	95817-08040-00	Bolt, Flange
08	90201-08M03-00	Washer, Plate
09	11D-F4182-00-00	Damper, Locating 2
10	90387-087L3-00	Collar
11	11D-F4717-00-00	Bolt, Seat Fitting
12	11D-F4141-00-00	Protector, Fuel Tank
13	11D-F8170-00-00	Holder, Tool
14	11D-F8100-00-00	Tool Kit
15	11D-F413B-00-00	Emblem
16	11D-13907-00-00	Fuel Pump Comp.
17	5YK-F4491-00-00	Bracket, Fuel Pump
18	5JW-24486-00-00	O-ring
19	91317-06012-00	Bolt
20	11D-F137X-00-00	Scoop, Air 2
21	11D-F4115-00-00	Stay, Fuel Tank 1
22	95027-06014-00	Bolt, Flange
23	90111-06X19-00	Bolt,hex. Socket Button
24	90201-06X28-00	Washer, Plate
25	11D-F836U-00-00	Damper, Locating 2
26	11D-F4116-00-00	Stay, Fuel Tank 2
27	11D-F137W-00-00	Scoop, Air 1
28	11D-F4243-00-00	Rod 1
29	11D-F412G-00-00	Collar
30	11D-F4181-00-00	Damper, Locating 1
31	90464-16005-00	Clamp
32	5YK-13971-00-00	Pipe, Fuel 1
33	11D-F4318-00-00	Pipe, Overflow
34	90467-09006-00	Clip
35	5YK-F4478-00-00	Joint
36	90464-09X00-00	Clamp
37	5JN-F1568-M0-00	Label, Warning
38	4SU-F415E-00-00	Label, Caution
39	90202-08X01-00	Washer, Plate
40	11D-F8187-00-00	Grommet

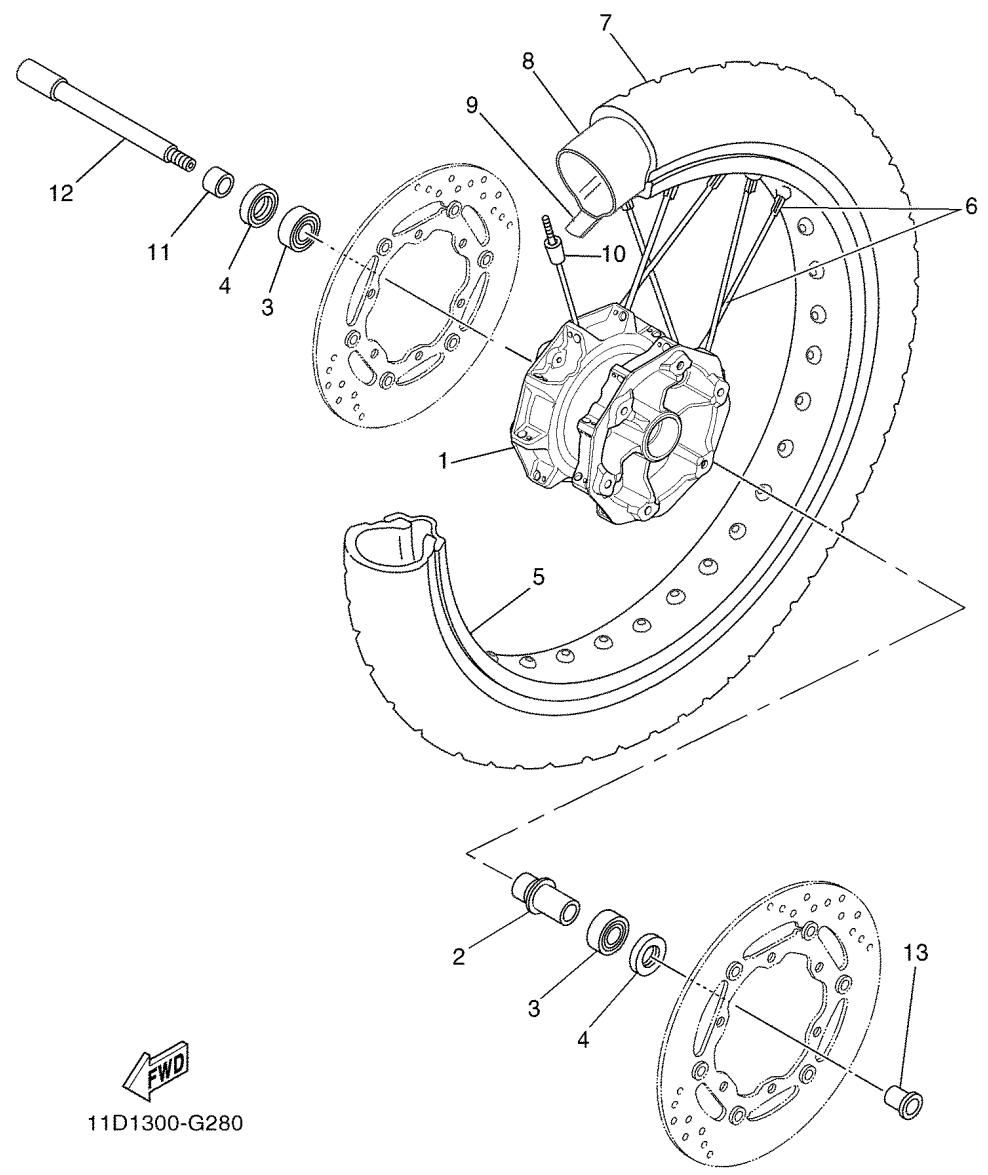
**SEAT**

Ref No	Part No	Description
01	11D-F4770-00-00	Semi-double Seat Assy
02	11D-F4731-00-00	• . Cover, Seat
03	5YK-F4723-00-00	• . Damper, Seat
04	11D-F4845-00-00	Cover 1
05	11D-F474A-00-00	Assist, Grip
06	11D-F4846-00-00	Cover 2
07	11D-F474W-00-00	Assist,grip 2
08	95817-08030-00	Bolt, Flange
09	11D-F4481-00-00	Plug
10	11D-F4844-00-00	Cover 3
11	11D-F471K-00-00	Cover, Tail 1
12	90111-06X19-00	Bolt,hex. Socket Button
13	11D-F176B-00-00	Tuning Fork Mark
14	90387-06X01-00	Collar
15	95602-06200-00	Nut, Self-locking
16	97707-40010-00	Screw, Tapping
17	97707-40014-00	Screw, Tapping
18	5AD-F4780-00-00	Seat Lock Assy
19	90201-06X04-00	Washer, Plate
20	92017-06020-00	Bolt, Button Head
21	2TV-W2470-00-00	Rotor Set
22	11D-F175H-00-00	Stay, Lock
23	92017-06014-00	Bolt, Button Head
24	90105-05016-00	Bolt, Flange
25	90183-05812-00	Nut, Spring
26	11D-F478E-00-00	Cable, Seat Lock
27	11D-F483H-00-00	Band
28	90338-05008-00	Plug
29	11D-F8199-E0-00	Manual,owner's
29	11D-F8199-F0-00	Manual,owner's
29	11D-F8199-G0-00	Manual,owner's
29	11D-F8199-H0-00	Manual,owner's
29	11D-F8199-S0-00	Manual,owner's
29	11D-F8199-D0-00	Manual,owner's
29	11D-F8199-P0-00	Manual,owner's

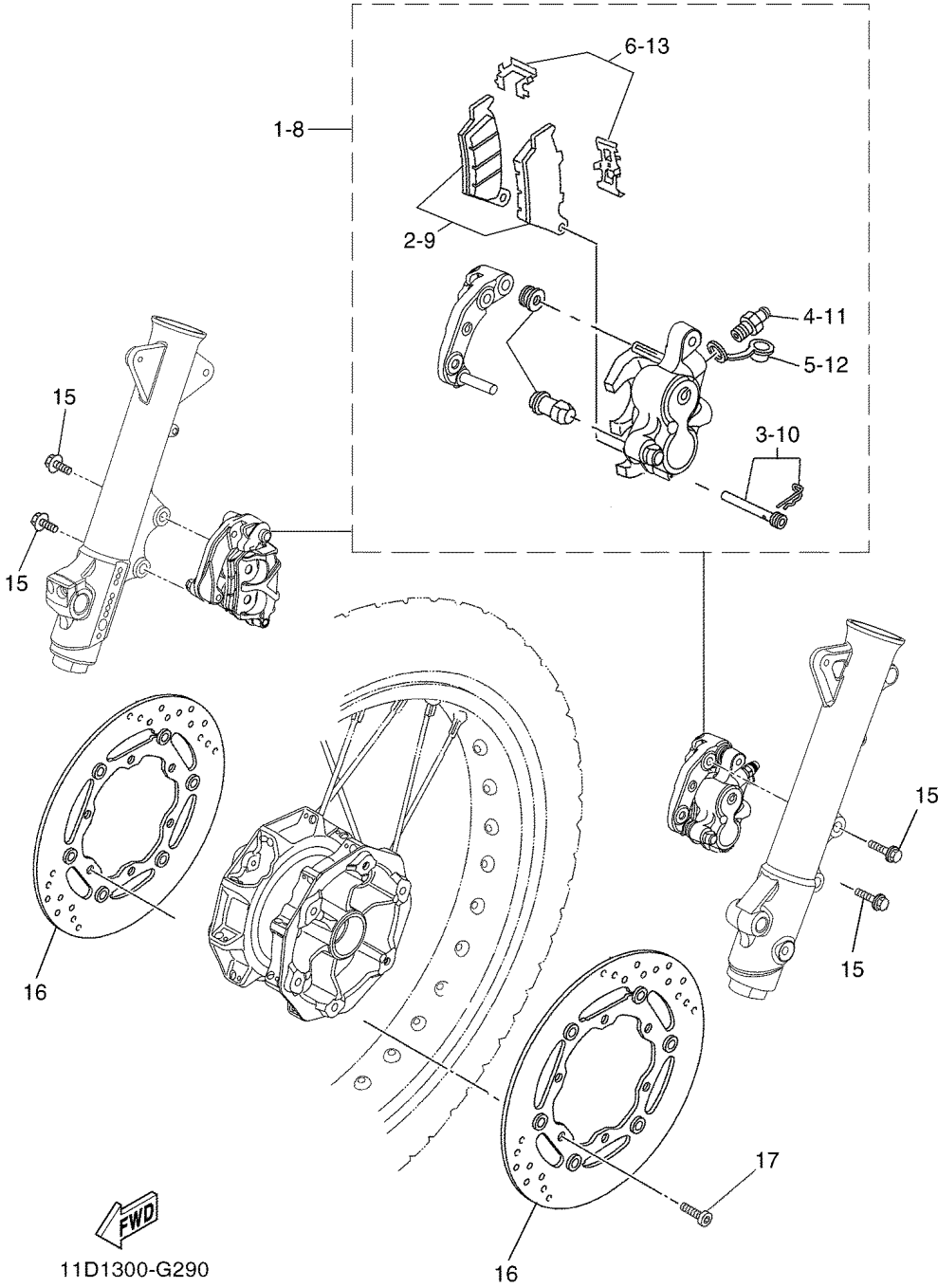


**FRONT WHEEL**

Ref No	Part No	Description
01	11D-F5111-00-00	Hub, Front
02	11D-F5117-00-00	Spacer, Bearing
03	93306-203XN-00	Bearing
04	93106-23002-00	Oil Seal
05	94418-21X00-00	Rim (1.85-21)
06	11D-F5104-00-00	Spoke Set, Front
07	94109-21800-00	Tire (90/90-21m/c 54s)
08	94109-21801-00	Tire (90/90-21m/c 54t)
08	*00-00000-00-00	Tube ( 21 )
08	*00-00000-00-00	Tube
09	*00-00000-00-00	Band, Rim (1.60-21)
09	*00-00000-00-00	Band, Rim
10	3HT-25398-00-00	Balancer, Wheel (15g)
11	5VK-F5183-00-00	Collar, Wheel
12	5VK-25181-00-00	Axle, Wheel
13	5VK-F5186-00-00	Collar, Wheel



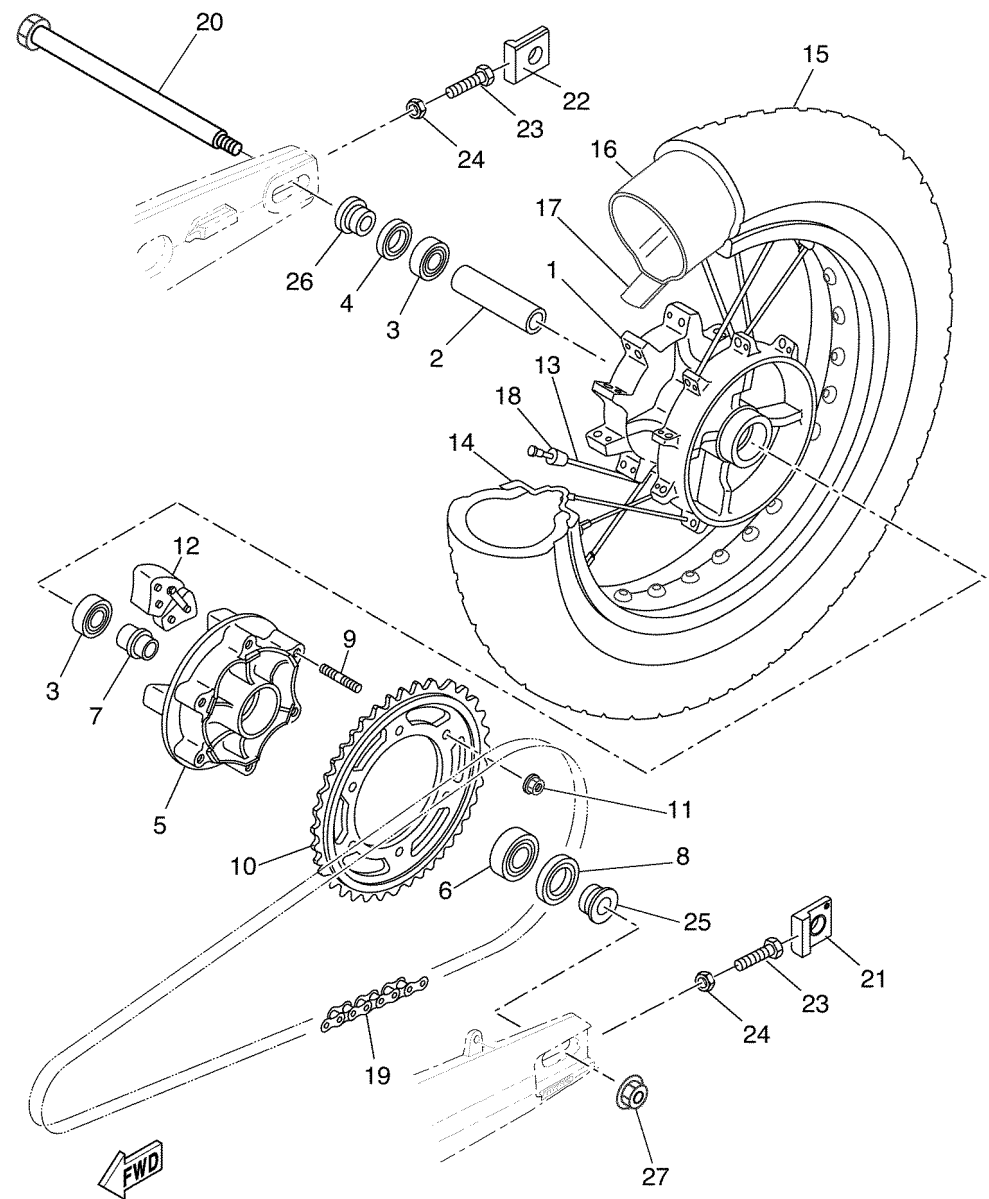
11D1300-G280



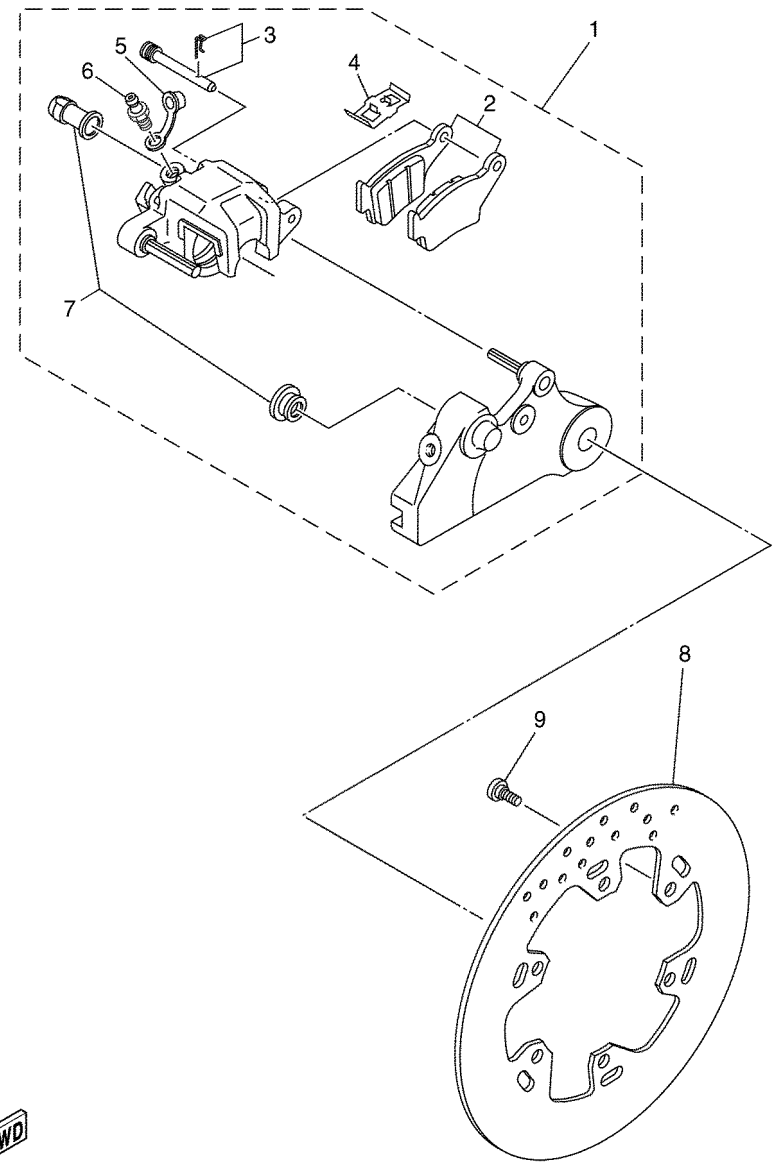
Ref No	Part No	Description
01	11D-F580T-00-00	Caliper Assy (left)
02	11D-F5811-00-00	• Pad, Caliper 2
03	5D7-F5924-00-00	• Pin, Pad
04	5D7-F5824-10-00	• Screw, Bleed
05	5DS-F5825-00-00	• Cap
06	5DS-F5919-00-00	• Support, Pad
07	5DS-F5917-00-00	• Boot, Caliper
08	11D-F580U-00-00	Caliper Assy (right)
09	11D-F5811-00-00	• Pad, Caliper 2
10	5D7-F5924-00-00	• Pin, Pad
11	5D7-F5824-10-00	• Screw, Bleed
12	5DS-F5825-00-00	• Cap
13	5DS-F5919-00-00	• Support, Pad
14	5DS-F5917-00-00	• Boot, Caliper
15	90105-10638-00	Bolt, Flange
16	5VK-F581T-00-00	Disk Brake Assy
17	90109-064G6-00	Bolt

**FWD**  
 11D1300-G290

Ref No	Part No	Description
01	5VK-25311-00-00	Hub, Rear
02	90560-17306-00	Spacer
03	93306-20348-00	Bearing
04	93106-23002-00	Oil Seal
05	5VK-25366-00-00	Clutch, Hub
06	93306-30437-00	Bearing
07	1VJ-25377-00-00	Collar, Wheel
08	93106-30029-00	Oil Seal
09	90116-10485-00	Bolt, Stud
10	5VK-25445-01-00	Sprocket, Driven (45t)
11	95607-10200-00	Nut, U Flange
12	5Y1-25364-00-00	Damper
13	5VK-F5304-00-00	Spoke Set, Rear
14	94427-17X00-00	Rim
15	94113-17800-00	Tire (130/80-17 M/c 65s)
15	94113-17801-00	Tire (130/80-17 M/c 65t)
16	*00-00000-00-00	Tube ( 21 )
16	*00-00000-00-00	Tube
17	*00-00000-00-00	Band, Rim (21)
17	*00-00000-00-00	Band, Rim (2.15-18)
18	3HT-25398-00-00	Balancer, Wheel (15g)
19	9456X-08110-00	Chain
20	10S-25381-00-00	Axle, Wheel
21	10S-F5388-00-00	Puller, Chain 1
22	10S-F5389-00-00	Puller, Chain 2
23	90101-08777-00	Bolt
24	95707-08500-00	Nut, Flange
25	90387-17801-00	Collar
26	90387-17802-00	Collar
27	95604-16200-00	Nut, U Flange



11D1300-G300

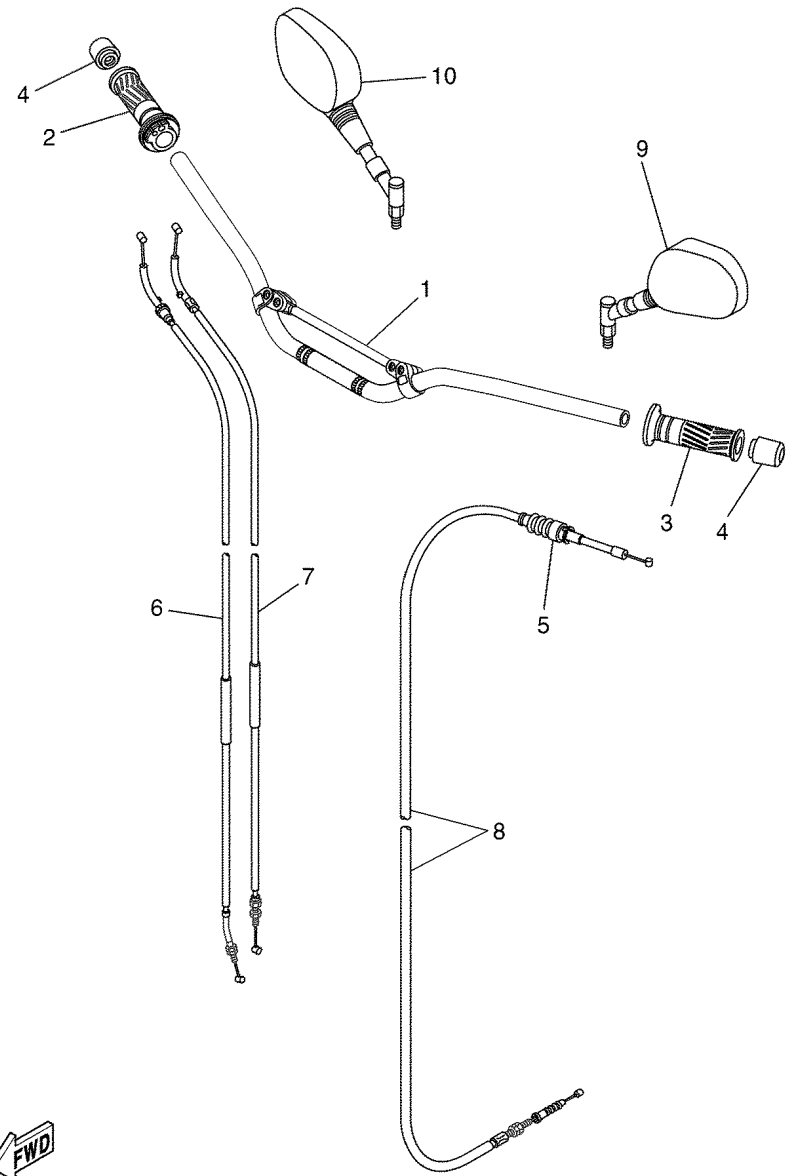


Ref No	Part No	Description
01	5VK-F580W-00-00	Caliper Assy, Rear 2
02	5VK-W0046-00-00	• . Brake Pad Kit 2
03	5VK-F5924-10-00	• . Pin, Pad
04	5VK-F5919-10-00	• . Support, Pad
05	5DS-F5825-00-00	• . Cap
06	5SE-F5824-00-00	• . Screw, Bleed
07	5DS-F5917-00-00	• . Boot, Caliper
08	5VK-F582W-00-00	Disk, Rear Brake 2
09	90109-065F3-00	Bolt



11D1300-G310

Ref No	Part No	Description
01	11D-F6111-00-00	Handlebar
02	4YR-26240-02-00	Grip Assy
03	4YR-26241-02-00	Grip (left)
04	11D-F6246-00-00	End, Grip
05	5VK-F6311-00-00	Cable, Throttle 1
06	5VK-F6312-00-00	Cable, Throttle 2
07	1E6-26342-00-00	Boot, Cable
08	5VK-F6335-00-00	Cable, Clutch
09	5VK-F6280-00-00	Rear View Mirror Assy (left)
10	5VK-F6290-00-00	Rear View Mirror Assy (right)

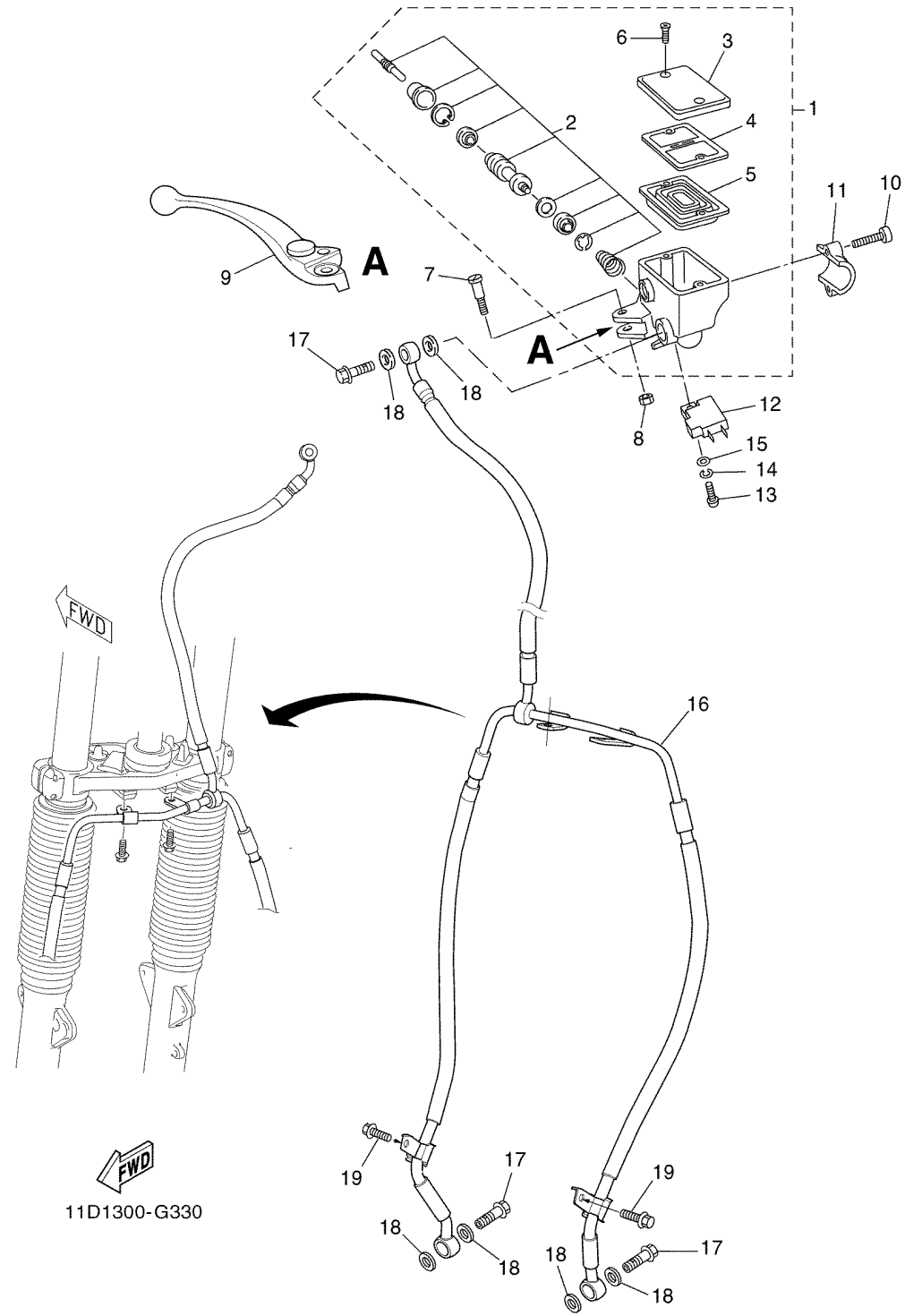


11D1300-G320

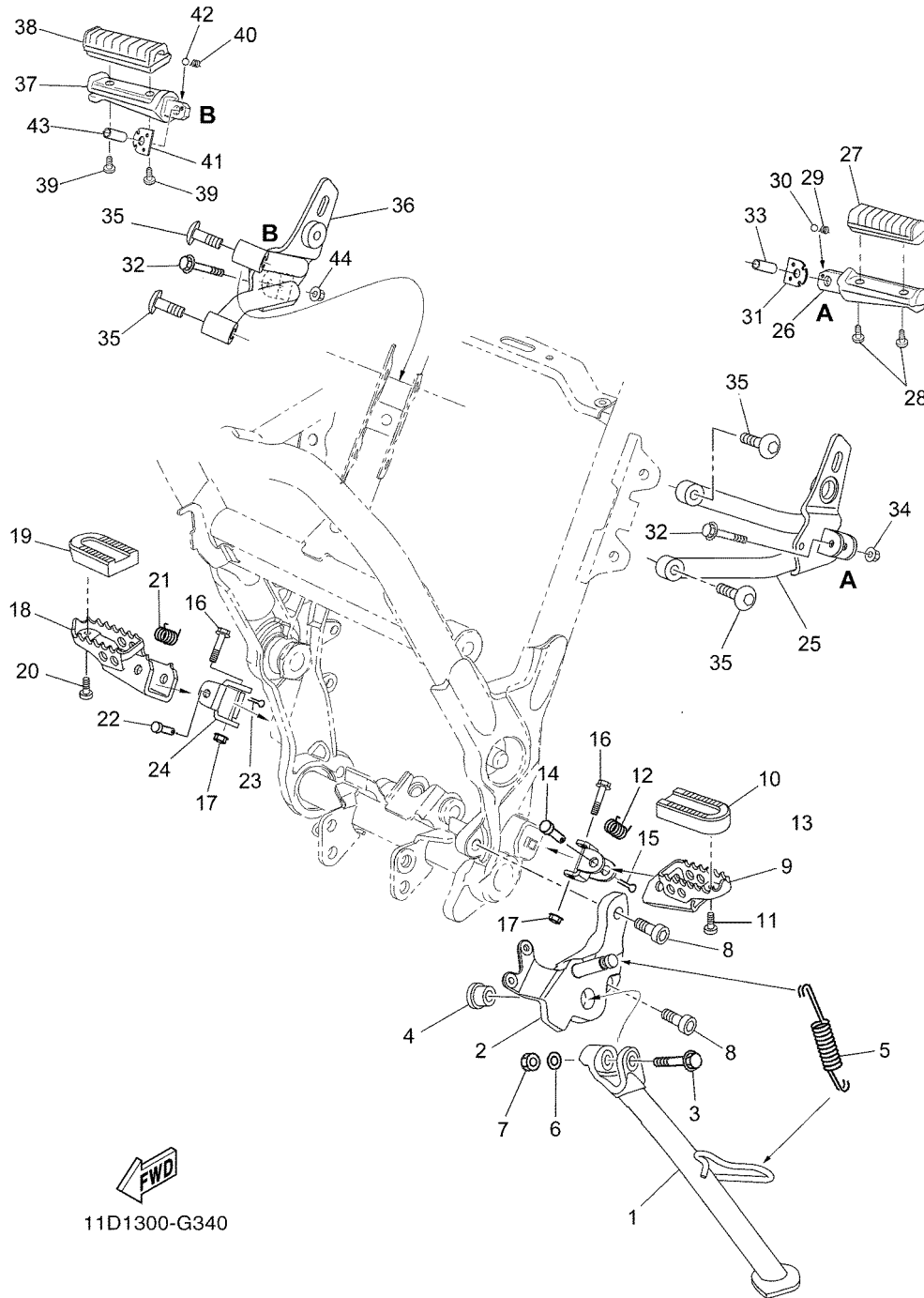


**FRONT MASTER CYLINDER**

Ref No	Part No	Description
01	5PS-W2587-00-00	Master Cylinder Sub Assy
02	5VS-W0041-00-00	• . Cylinder Kit, Master
03	5VS-25852-00-00	• . Cap, Reservoir
04	5VS-25855-00-00	• . Bush, diaphragm
05	5VS-25854-00-00	• . Gasket, Diaphragm
06	5VS-2589H-00-00	• . Screw
07	5VS-2589F-00-00	Bolt, Lever
08	95617-06100-00	Nut, U
09	5VS-83922-00-00	Lever 2
10	5VS-26332-00-00	Bolt
11	5VS-25867-00-00	Bracket, Master Cylinder
12	4HM-83980-00-00	Front Stop Switch Assy
13	98502-04012-00	Screw, Pan Head
14	92902-04100-00	Washer, Spring
15	92902-04600-00	Washer, Plate
16	11D-F5872-00-00	Hose, Brake 1
17	90401-10X03-00	Bolt, Union
18	90201-10X07-00	Washer, Plate
19	95024-06012-00	Bolt, Flange



11D1300-G330

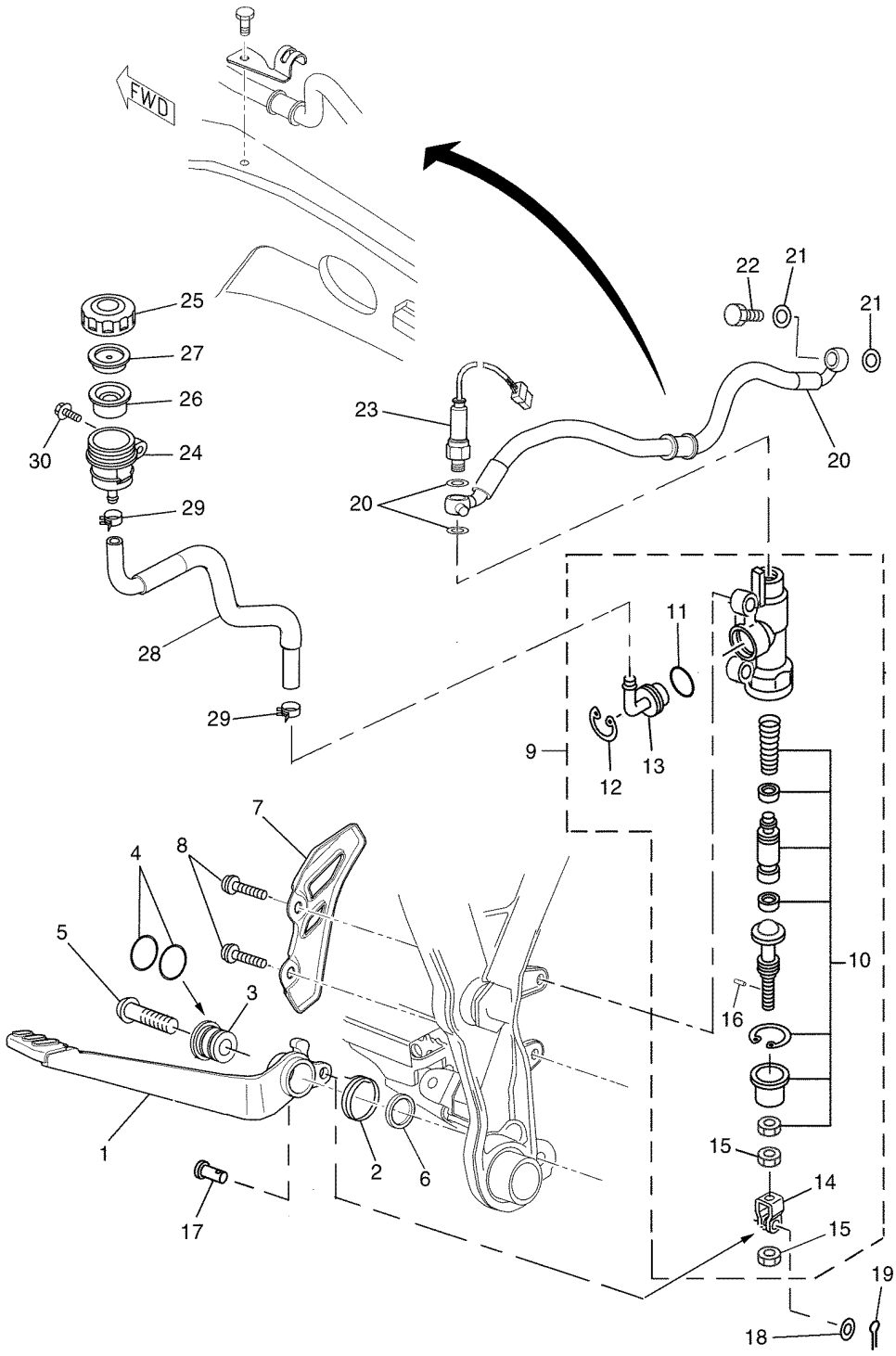


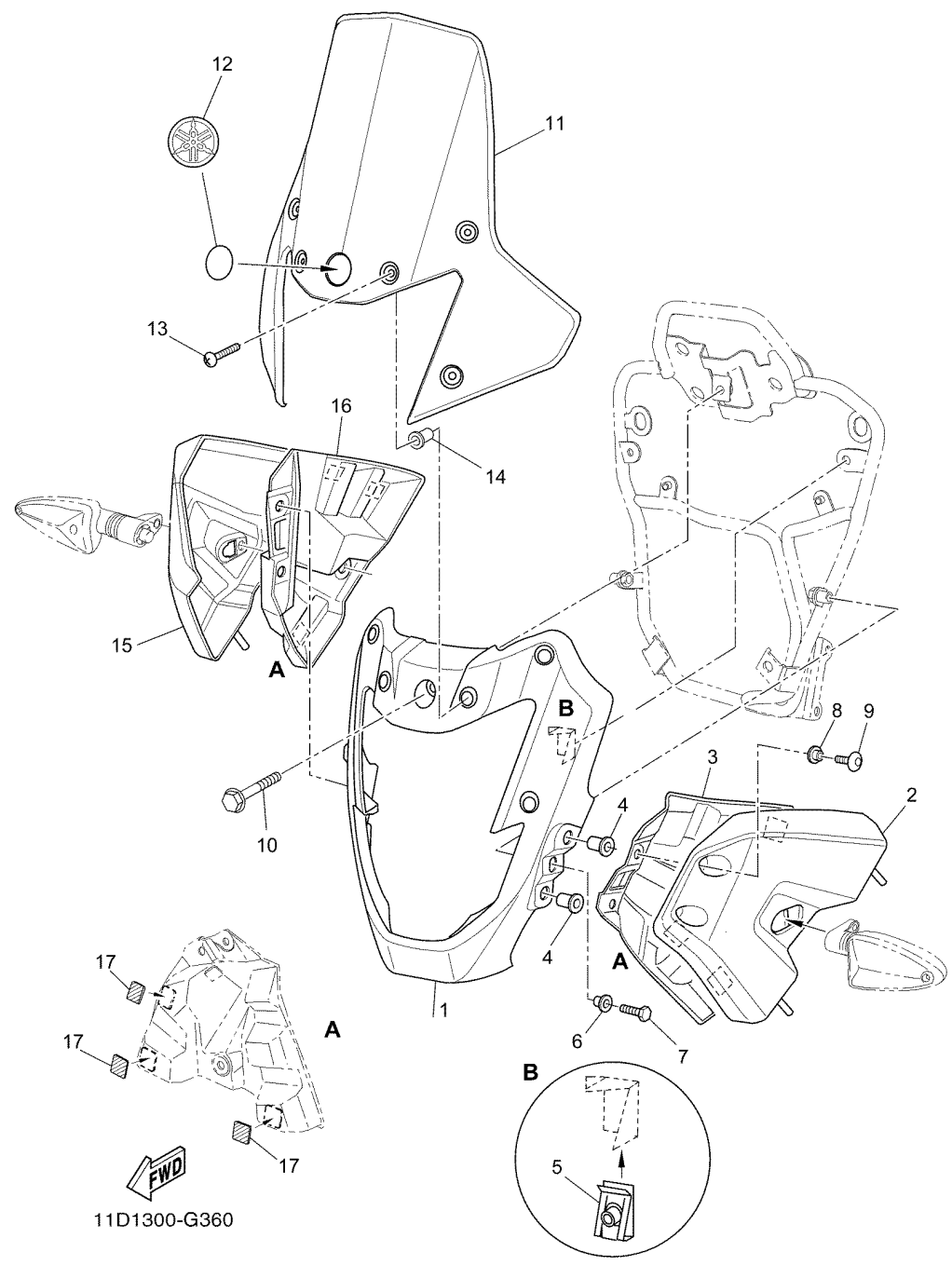
Ref No	Part No	Description
01	11D-F7311-00-00	Stand, Side
02	11D-F7321-00-00	Bracket, Side Stand
03	90105-10X16-00	Bolt, Flange
04	11D-F7313-00-00	Collar
05	90506-25X01-00	Spring, Tension
06	90201-10X21-00	Washer, Plate
07	9561M-10100-00	Nut, U
08	90110-10191-00	Bolt, Hexagon Socket Head
09	3LD-27411-01-00	Footrest 1
10	3LD-27413-00-00	Cover, Footrest
11	91317-06010-00	Bolt
12	90508-28777-00	Spring, Torsion
13	11D-F7452-00-00	Bracket, Footrest 1
14	90240-10101-00	Pin, Clevis
15	91401-25020-00	Pin, Cotter
16	90105-08053-00	Bolt, Flange
17	95607-08200-00	Nut, Self-locking
18	3LD-27421-01-00	Footrest 2
19	3LD-27413-00-00	Cover, Footrest
20	91317-06010-00	Bolt
21	90508-28777-00	Spring, Torsion
22	90240-10101-00	Pin, Clevis
23	91401-25020-00	Pin, Cotter
24	11D-F7452-00-00	Bracket, Footrest 1
25	11D-F741L-00-00	Bracket 4
26	11D-F743A-00-00	Bar, Rear Footrest
27	1B9-F7454-00-00	Cover, Footrest
28	90157-05079-00	Screw, Pan Head
29	90501-15001-00	Spring, Compression
30	93501-04011-00	Ball
31	5JJ-27437-01-00	Washer, Special
32	95817-06040-00	Bolt, Flange
33	90387-06014-00	Collar
34	95604-06200-00	Nut, U Flange
35	90110-08221-00	Bolt, Hexagon Socket Head
36	11D-F742L-00-00	Bracket 5
37	11D-F743G-00-00	Bar, Rear Footrest 2
38	1B9-F7454-00-00	Cover, Footrest
39	90157-05079-00	Screw, Pan Head
40	90501-15001-00	Spring, Compression
41	5JJ-27437-01-00	Washer, Special
42	93501-04011-00	Ball
43	90387-06014-00	Collar
44	95604-06200-00	Nut, U Flange

11D1300-G340

**REAR MASTER CYLINDER**

Ref No	Part No	Description
01	11D-F7211-00-00	Pedal, Brake
02	11D-F7216-00-00	Spring, Return
03	5YK-F7213-00-00	Collar
04	93210-15414-00	O-ring
05	92017-10045-00	Bolt, Button Head
06	90201-100L3-00	Washer, Plate
07	11D-F7446-00-00	Plate 2
08	92014-08025-00	Bolt, Button Head
09	5VK-2583V-00-00	Rr. Master Cylnder Assy.
10	3BN-W0042-50-00	. Cylinder Kit, Master
11	93210-15620-00	. O-ring
12	2VN-25866-00-00	. Circlip
13	4ML-2582A-50-00	. Joint
14	2YK-27222-00-00	. Joint
15	4SS-27218-00-00	. Nut
16	3KW-27234-00-00	. Pin, Brake Rod
17	90240-08124-00	Pin, Clevis
18	90201-08083-00	Washer, Plate
19	91401-20012-00	Pin, Cotter
20	11D-F5873-00-00	Hose, Brake 2
21	90201-10X07-00	Washer, Plate
22	90401-10X03-00	Bolt, Union
23	11D-H2530-00-00	Stop Switch Assy
24	5JJ-25894-00-00	Tank, Reservoir
25	3XP-25852-50-00	Cap, Reservoir
26	2VN-25854-00-00	Gasket, Diaphragm
27	2VN-25855-00-00	Bush,diaphragm
28	11D-25895-00-00	Hose, Reservoir
29	90467-12085-00	Clip
30	90119-06044-00	Bolt, With Washer

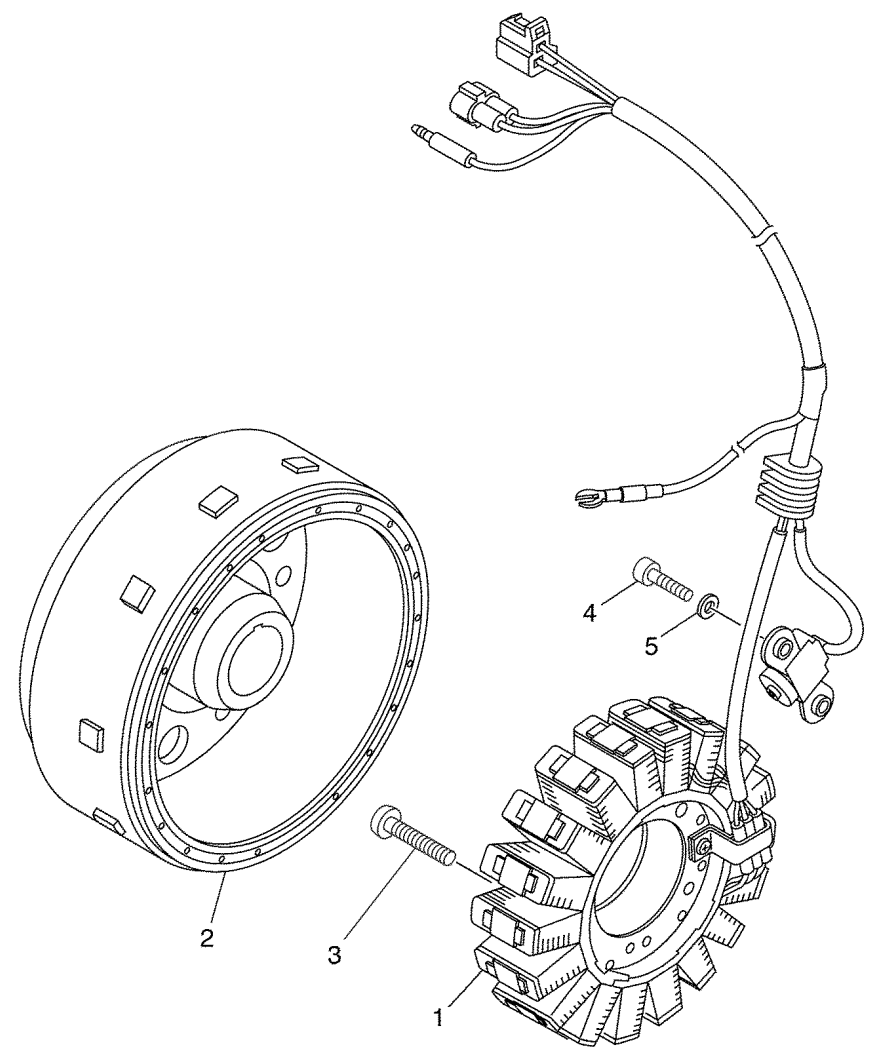




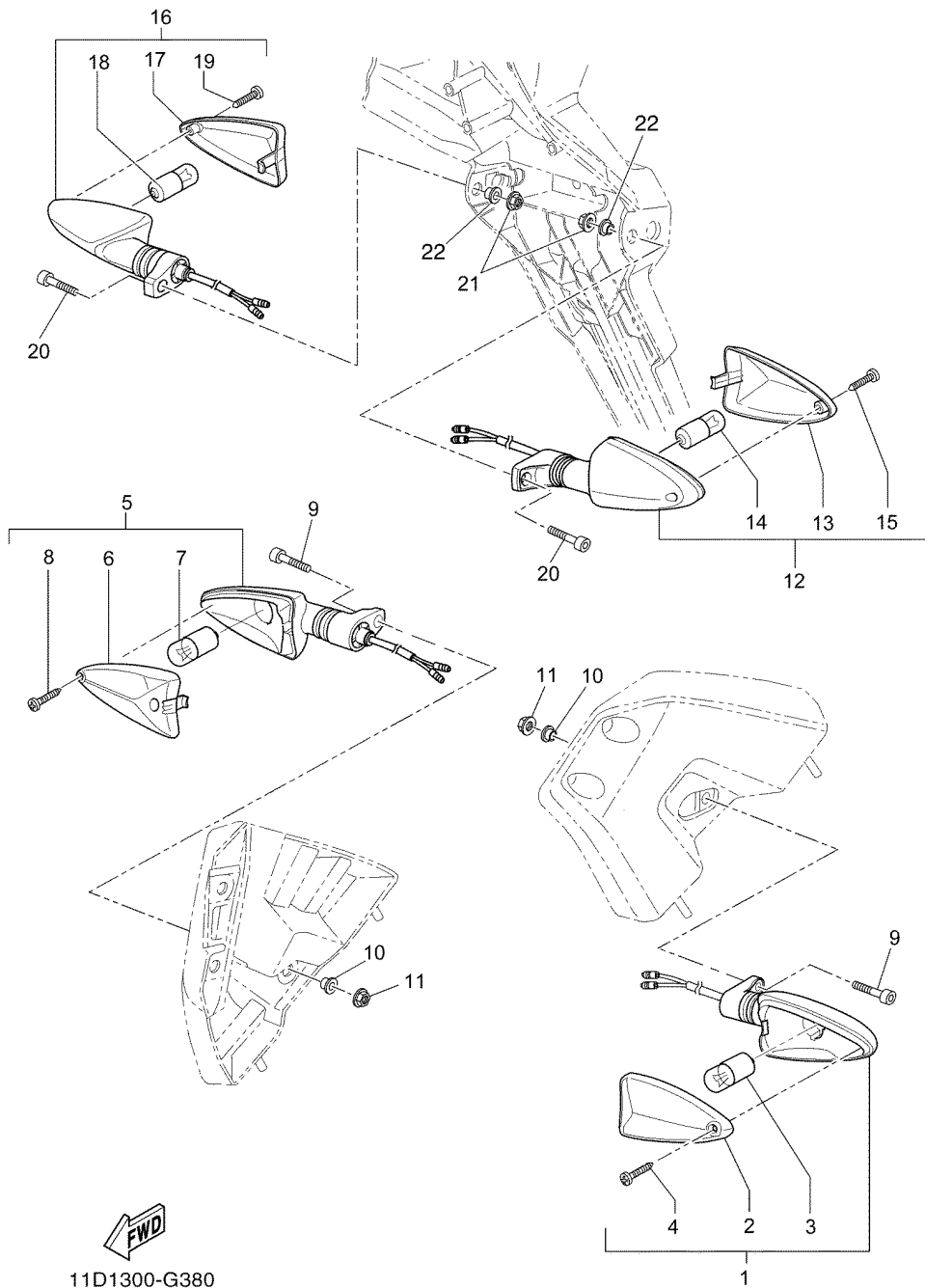
Ref No	Part No	Description
01	11D-F8351-00-P0	Body, Cowling
01	11D-F8351-00-P1	Body, Cowling
01	11D-F8351-00-P2	Body, Cowling
02	11D-F842M-00-00	Cover 1
03	11D-F836L-00-00	Panel, Inner 2
04	90179-06520-00	Nut
05	2VW-F1736-00-00	Nut,plate
06	90387-06X02-00	Collar
07	97017-06025-00	Bolt
08	90387-06X09-00	Collar
09	90111-06X20-00	Bolt,hex. Socket Button
10	95817-06050-00	Bolt, Flange
11	11D-F8381-00-00	Windshield
12	11D-F836B-00-00	Tuning Fork Mark
13	90150-05024-00	Screw, Round Head
14	90179-05523-00	Nut
15	11D-F842N-00-00	Cover 2
16	11D-F836M-00-00	Panel, Inner 3
17	11D-F836U-00-00	Damper, Locating 2

**GENERATOR**

Ref No	Part No	Description
01	5VK-81410-00-00	Stator Assy
02	5VK-81450-10-00	Rotor Assy
03	92017-06030-00	Bolt, Button Head
04	91317-05014-00	Bolt
05	90201-05X08-00	Washer, Plate



5VK1300-C370

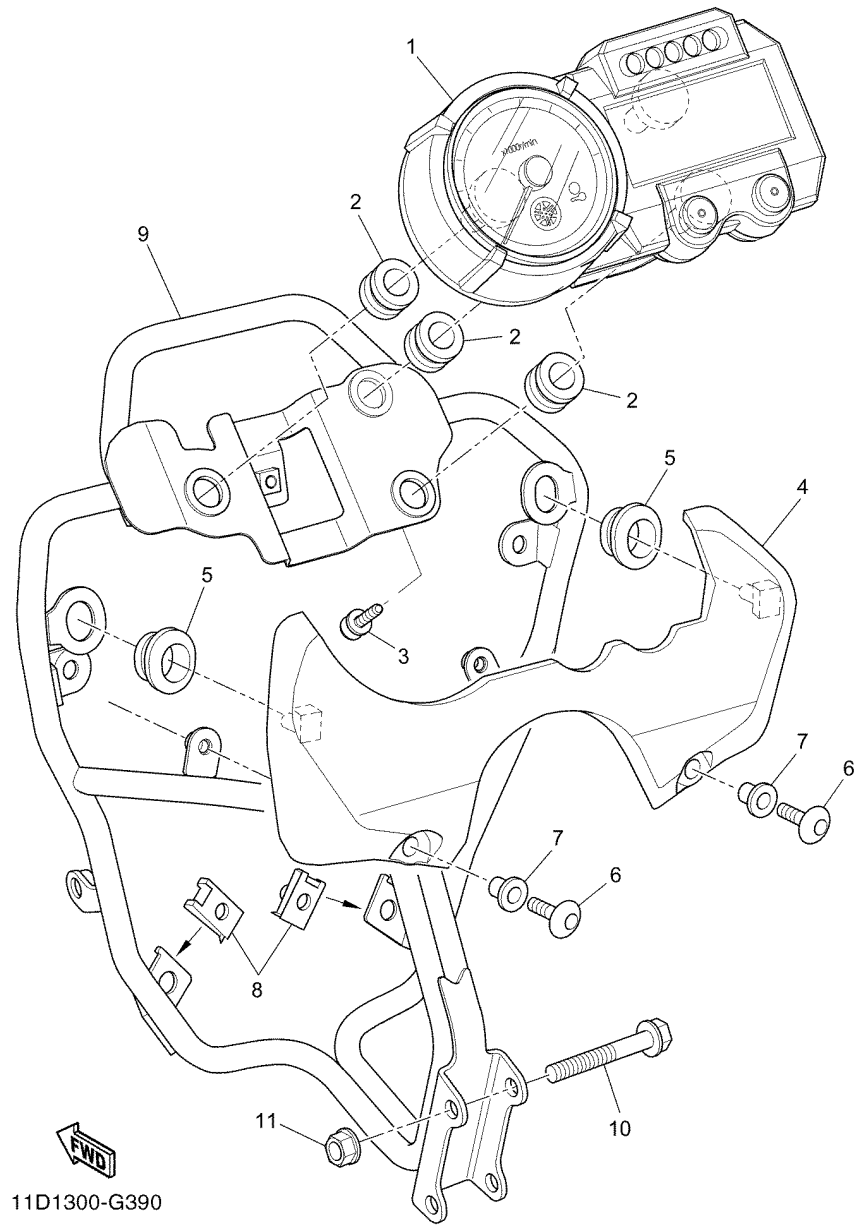


Ref No	Part No	Description
01	11D-H3310-00-00	Front Flasher Light Assy 1
02	5D7-H3312-00-00	• . Lens, Flasher
03	5VK-H3311-00-00	• . Bulb, Flasher (12v/10w)
04	97780-30116-00	• . Screw, Tapping
05	11D-H3320-00-00	Front Flasher Light Assy 2
06	5D7-H3322-00-00	• . Lens, Flasher 2
07	5VK-H3311-00-00	• . Bulb, Flasher (12v/10w)
08	97780-30116-00	• . Screw, Tapping
09	9131M-06020-00	Bolt
10	90387-06X01-00	Collar
11	90185-06837-00	Nut, Self-locking
12	11D-H3330-00-00	Rear Flasher Light Assy 1
13	5D7-H3322-00-00	• . Lens, Flasher 2
14	5VK-H3311-00-00	• . Bulb, Flasher (12v/10w)
15	97780-30116-00	• . Screw, Tapping
16	11D-H3340-00-00	Rear Flasher Light Assy 2
17	5D7-H3312-00-00	• . Lens, Flasher
18	5VK-H3311-00-00	• . Bulb, Flasher (12v/10w)
19	97780-30116-00	• . Screw, Tapping
20	9131M-06020-00	Bolt
21	90185-06837-00	Nut, Self-locking
22	90387-06M31-00	Collar

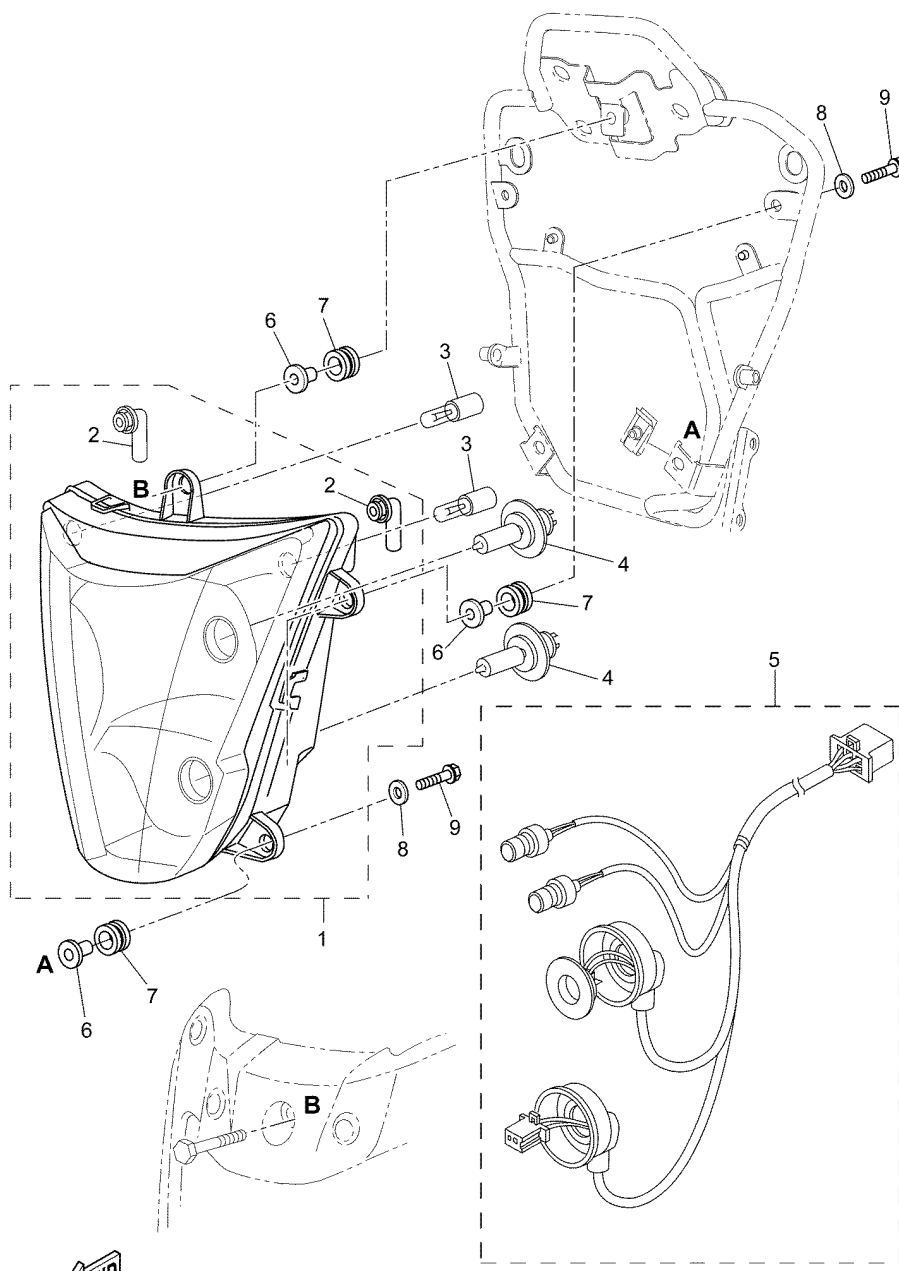


11D1300-G380

Ref No	Part No	Description
01	11D-H3500-00-00	Meter Assy
02	5CH-H3523-00-00	Damper
03	90164-05014-00	Screw, Tapping
04	11D-F836K-00-00	Panel, Inner 1
05	90480-01558-00	Grommet
06	90111-06X17-00	Bolt, hex. Socket Button
07	90387-06X38-00	Collar
08	2VW-F1736-00-00	Nut, plate
09	11D-F8356-00-00	Stay 1
10	95817-08045-00	Bolt, Flange
11	95607-08200-00	Nut, Self-locking



11D1300-G390

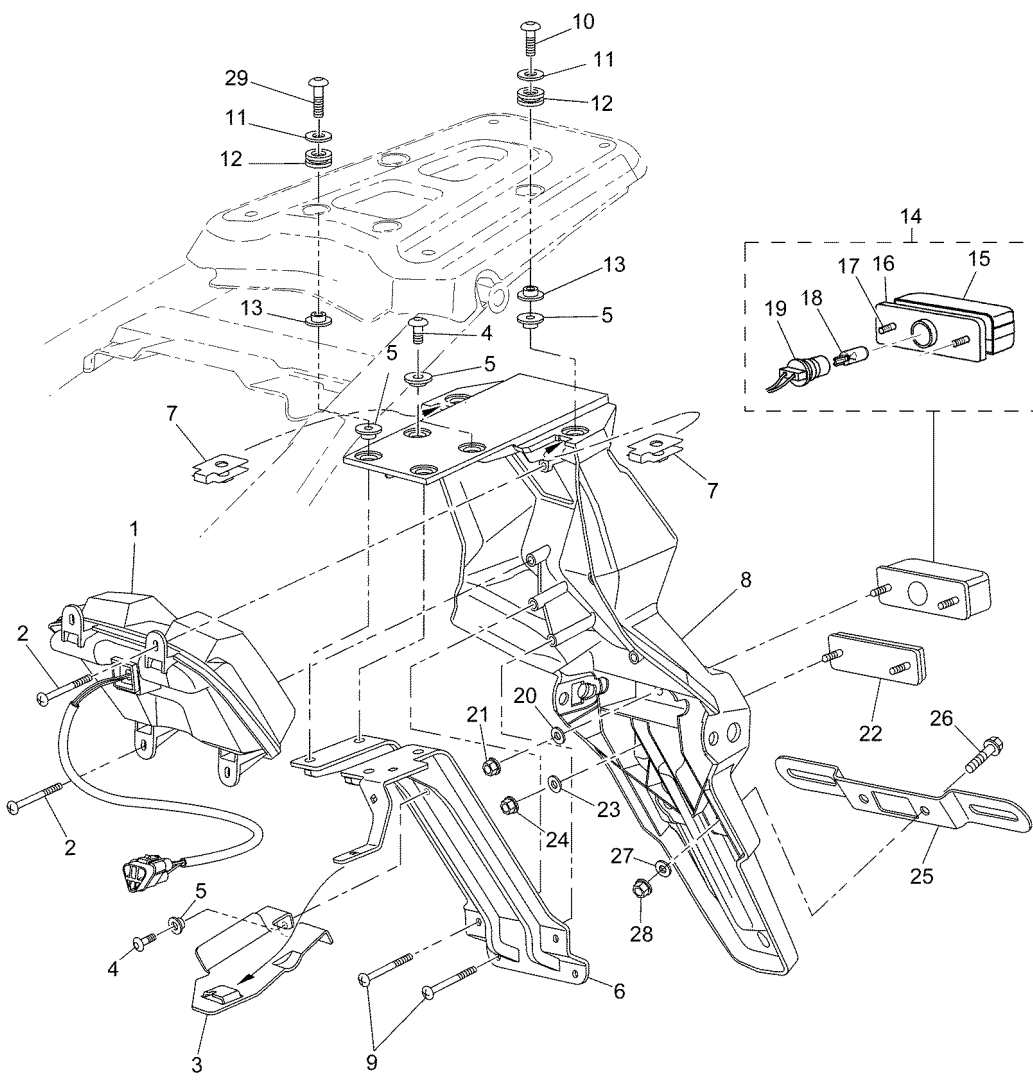


Ref No	Part No	Description
01	11D-H410A-00-00	Headlight Unit Comp.
02	5JN-H4352-00-00	• Grommet
03	5B2-H4314-00-00	Bulb, Headlight (h7, 12v-55w)
04	5B2-H4301-00-00	Pilot Light Assy 1
05	11D-H4312-00-00	Cord Assy
06	90387-068L3-00	Collar
07	90480-14023-00	Grommet
08	9290M-06200-00	Washer
09	95817-06035-00	Bolt, Flange



11D1300-G400

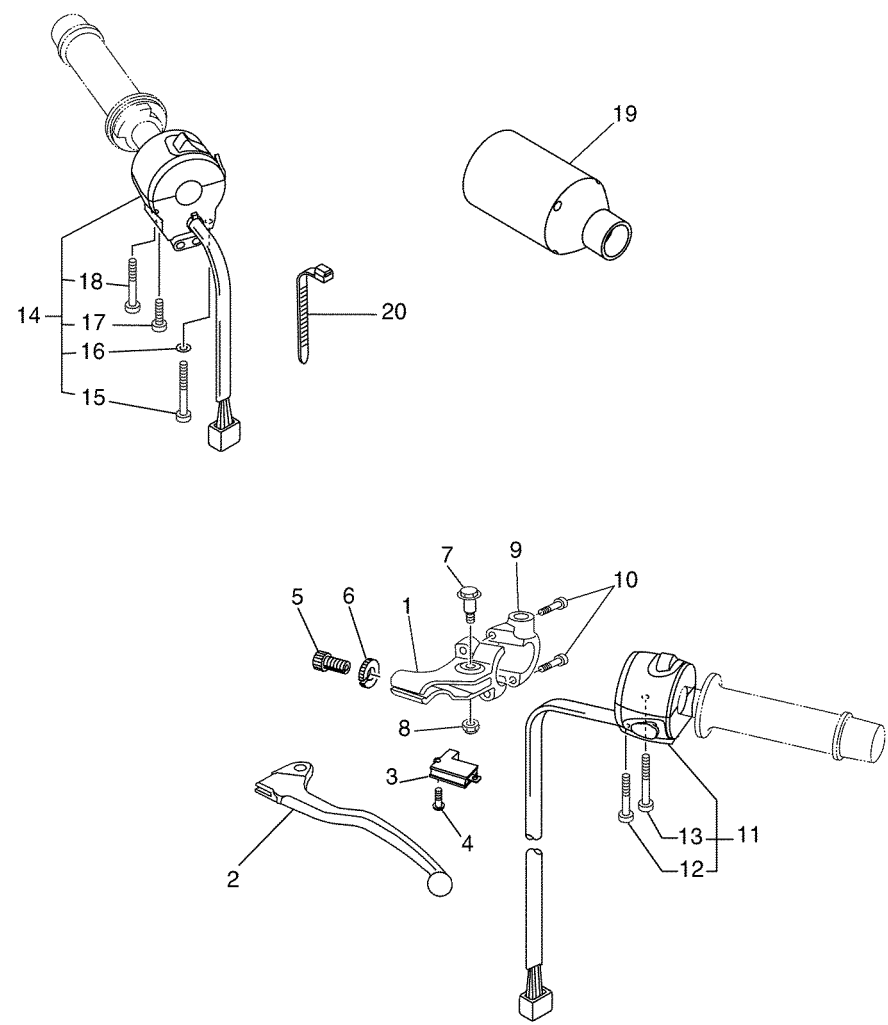




Ref No	Part No	Description
01	11D-H4710-00-00	Taillight Unit Assy
02	97707-40012-00	Screw, Tapping
03	11D-H2589-01-00	Protector, Wire Harness
04	9201L-06014-00	Bolt, Button Head
05	90387-06X41-00	Collar
06	11D-F1670-01-00	Reinf. Comp.
07	47X-21736-01-00	Nut, plate
08	11D-F1685-00-00	Bracket, License
09	97707-40020-00	Screw, Tapping
10	92017-06020-00	Bolt, Button Head
11	90480-11006-00	Grommet
12	90201-06X14-00	Washer, Plate
13	90387-06X42-00	Collar
14	11D-H4745-00-00	Licence Light Unit Assy
15	5YK-H4749-00-00	• . Body, Licence Light
16	5YK-H4741-00-00	• . Base, Licence Light
17	9770L-30110-00	• . Screw, Tapping
18	*00-00000-00-00	• . Bulb (12v-5w)
19	11D-H4547-00-00	• . Cord, Licence Light
20	9290L-05200-00	Washer
21	9570L-05300-00	Nut, Flange
22	5YK-H5130-00-00	Rear Reflector Assy
23	92907-04200-00	Washer
24	9570L-04300-00	Nut, Flange
25	3SH-H4551-00-00	Bracket, Licence
26	9581M-06016-00	Bolt, Flange
27	90201-06X14-00	Washer, Plate
28	9571L-06300-00	Nut, Flange
29	9201L-06025-00	Bolt, Button Head



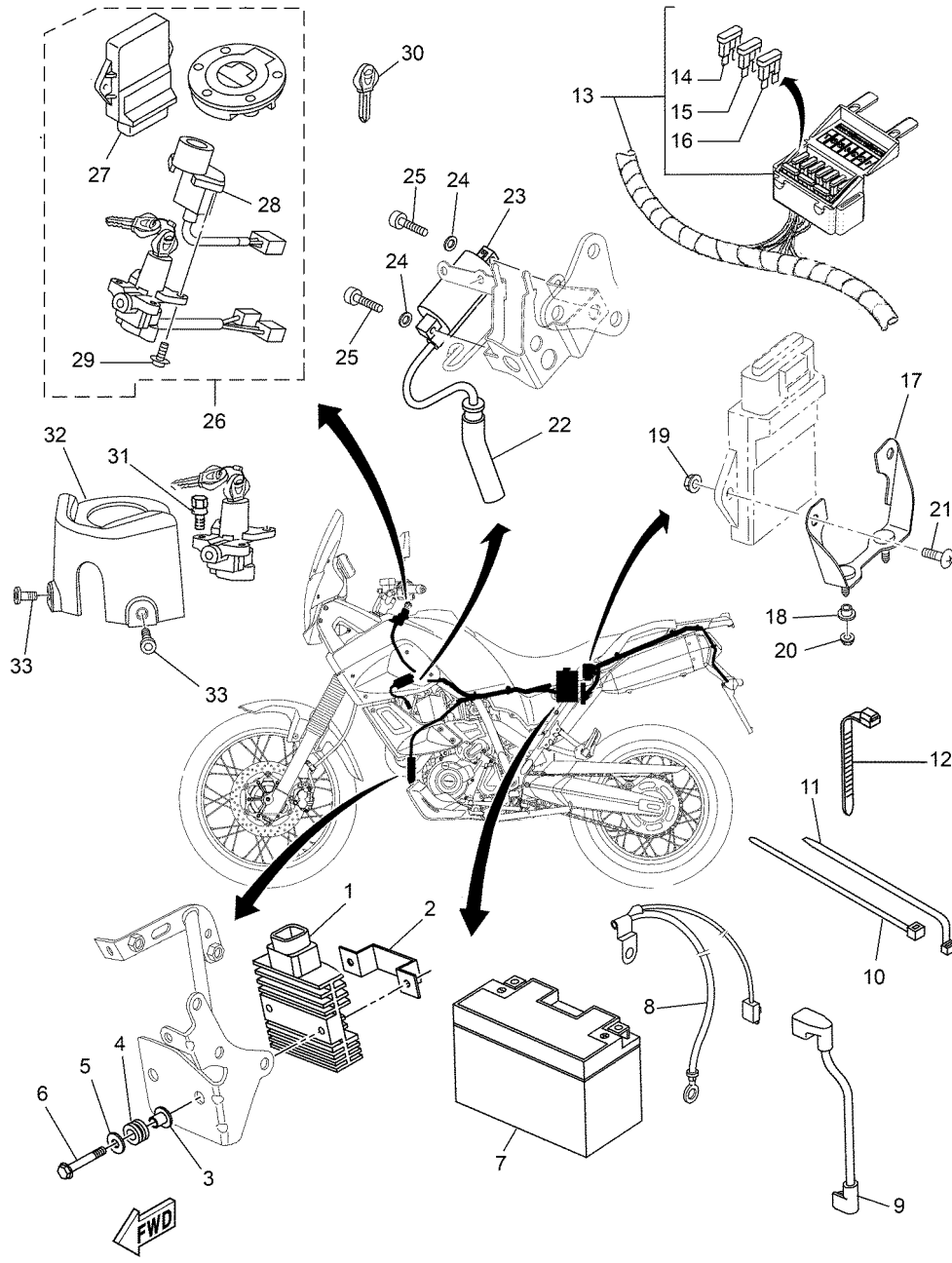
11D1300-G410



Ref No	Part No	Description
01	11D-H2911-00-00	Holder, Lever 1
02	11D-H3912-00-00	Lever 1
03	3YX-82917-01-00	Switch
04	98707-03020-00	Screw, Flat Head
05	11D-H3951-00-00	Bolt, Cable Adjusting
06	5D7-H3927-00-00	Nut, Adjusting
07	5D7-H3945-00-00	Bolt, Lever
08	90185-06837-00	Nut, Self-locking
09	11D-H2913-00-00	Holder, Lever Lower 1
10	11D-H3546-00-00	Bolt
11	5VK-83969-00-00	Switch, Handle 5
12	98507-05030-00	. Screw, Pan Head
13	98507-05045-00	. Screw, Pan Head
14	5VK-83975-00-00	Switch, Handle 2
15	98507-05055-00	. Screw, Pan Head
16	92907-05600-00	. Washer, Plate
17	98507-05045-00	. Screw, Pan Head
18	98507-05020-00	. Screw, Pan Head
19	11D-H1662-00-00	Cover, Connector
20	90464-25004-00	Clamp

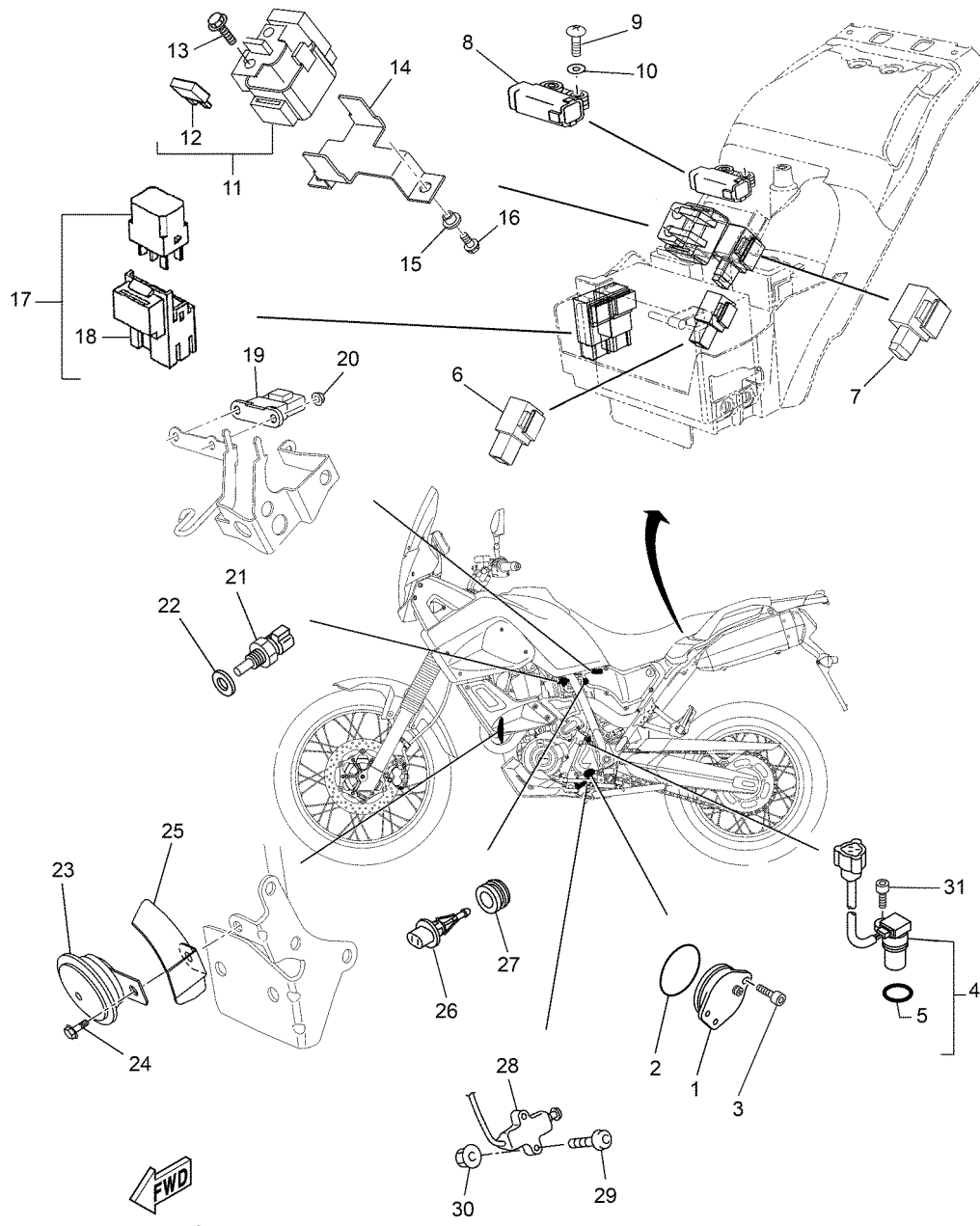


11D1300-G420



11D1300-G430

Ref No	Part No	Description
01	4XY-81960-00-00	Rectifier & Regulator Assy
02	11D-F1287-00-00	Bracket, Regulator
03	90387-06042-00	Collar
04	90480-15363-00	Grommet
05	90201-06072-00	Washer, Plate
06	95807-06040-00	Bolt, Flange
07	5FL-82100-01-00	Battery Assy (gt9b-4)
08	11D-H2116-00-00	Wire, Minus Lead
09	5YK-82115-00-00	Wire, Plus Lead
10	4GV-H3936-00-00	Band, Switch Cord
11	2AJ-F3192-50-00	Band
12	90464-25004-00	Clamp
13	11D-H2590-00-00	Wire Harness Assy
14	5JJ-82151-00-00	• . Fuse (7.5a-bl)
15	5JJ-82151-30-00	• . Fuse (10a-bl)
16	5JJ-82151-20-00	• . Fuse (20a-bl)
17	11D-H5991-00-00	Bracket, Unit
18	90387-06202-00	Collar
19	9570L-06500-00	Nut, Flange
20	95607-06200-00	Nut, Self U-flange
21	90111-06X19-00	Bolt, hex. Socket Button
22	5VK-82370-00-00	Plug Cap Assy
23	4GV-82310-00-00	Ignition Coil Assy
24	9290M-05600-00	Washer
25	9131M-05020-00	Bolt
26	11D-W8250-00-00	Main Sw. Immobilizer Kit
27	11D-8591A-00-00	• . Engine Control Unit Assy
28	5YK-8255P-00-00	• . Immobilizer. Unit Comp.
29	5SL-82113-01-00	• . Screw
30	5SL-82511-08-00	Blank Key
31	90109-080G5-00	Bolt
32	11D-H2568-00-00	Cover, Main Switch
33	90111-05011-00	Bolt, hex. Socket Button



Ref No	Part No	Description
01	1AE-82540-00-00	Neutral Switch Assy
02	93210-29X00-00	O-ring
03	90110-06122-00	Bolt, Hexagon Socket Head
04	11D-83755-00-00	Sensor, Speed
05	4D9-81168-00-00	• . O-ring
06	4GY-83350-00-00	Flasher Relay Assy
07	5VK-81950-40-00	Relay Assy
08	2S5-H2576-00-00	Lean Angle Sensor
09	97707-40025-00	Screw, Tapping
10	90201-047A2-00	Washer, Plate
11	4SV-81940-12-00	Starter Relay Assy
12	1AE-82151-00-00	• . Fuse (30a-bl)
13	95027-06008-00	Bolt, Flange
14	11D-H1953-00-00	Stay, Relay
15	90387-06202-00	Collar
16	9581M-06014-00	Bolt, Flange
17	5EA-81950-20-00	Relay Assy
18	5EA-81952-00-00	• . Holder, Relay
19	5PS-82380-00-00	Sensor, Pressure
20	9571L-06300-00	Nut, Flange
21	5PS-85790-00-00	Thermosensor Assy
22	90430-12X00-00	Gasket
23	5VK-H3371-00-00	Horn
24	9581M-06012-00	Bolt, Flange
25	11D-H3376-00-00	Cover, Horn
26	5VU-85886-00-00	Sensor, Air Temperature
27	5CA-14435-00-00	Grommet
28	5VS-82566-61-00	Switch, Side Stand
29	92017-05025-00	Bolt, Button Head
30	95607-05200-00	Nut, U Flange
31	91317-06014-00	Bolt

11D1300-G440